

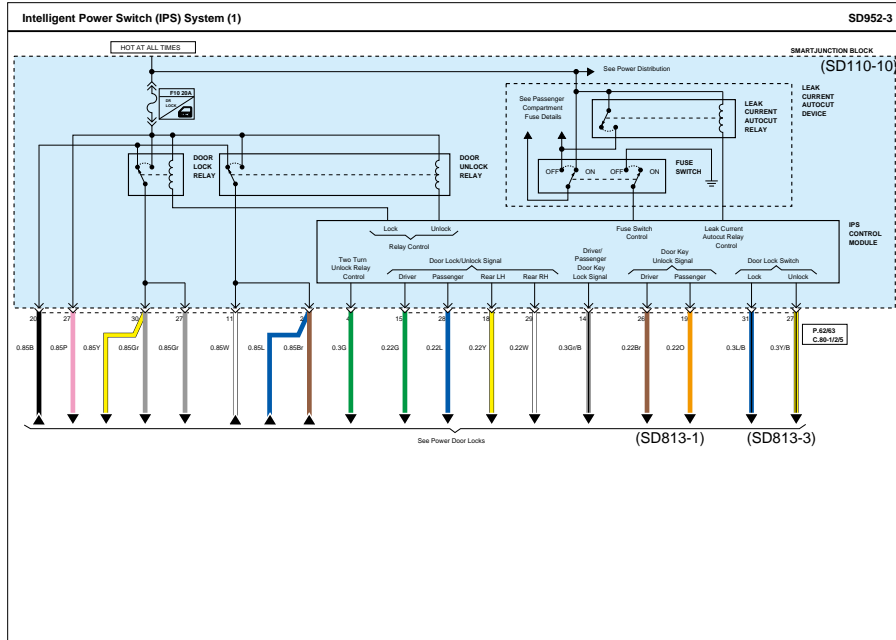
Component Procedures: Power Distribution Module

Table of Contents

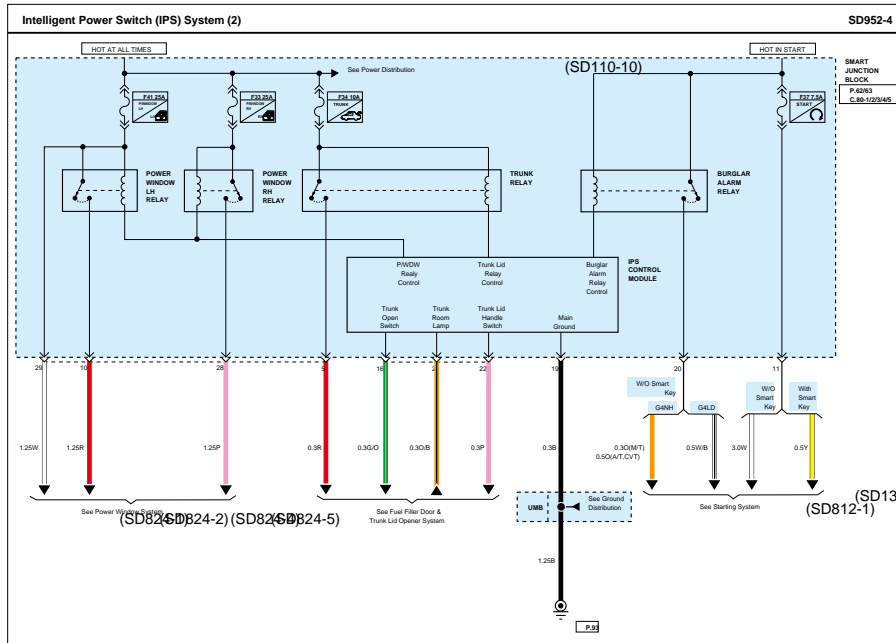
1. Intelligent Power Switch (IPS) System - Schematic Diagrams (Article 42516)

Component Procedures: Power Distribution Module

Intelligent Power Switch (IPS) System - Schematic Diagrams (Article 42516)



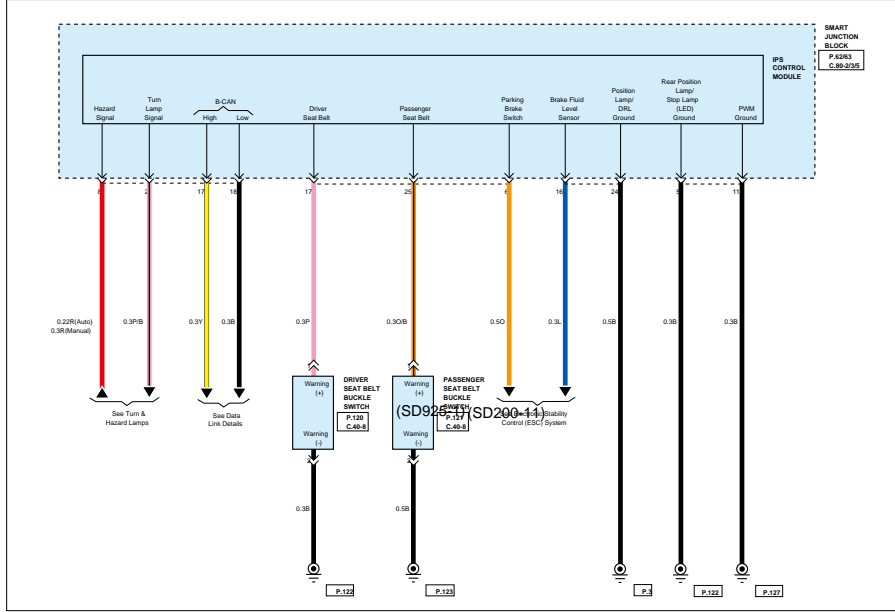
(SD120-9)



(SD130-1)

(SD360-1)

(SD360-2)



(SD588-2)