

Component Procedures: Power Window Switch

Table of Contents

1. Parts and Labor (itype_189)
2. Power Window Switch - Schematic Diagrams (Article 44613)
3. Power Window Switch - Components and Components Location (Article 44611)
4. Power Window Switch - Repair Procedures (Article 44614)

Component Procedures: Power Window Switch

Parts and Labor (itype_189)

Parts

Qualifier	Part #	Name	Price	Note
Rear Door > Window Switch	93580F21004X	Window Switch	152.84	
Rear Door > Window Switch > ?	93580F24104X	With Heated Seats	124.11	
Rear Door > Window Switch > ?	93575F21004X	Without Heated Seats	112.32	
Rear Door > Window Switch > ?	93580F25104X	With Heated Seats	126.76	
Rear Door > Window Switch > ?	93575F20104X	Without Heated Seats	77.69	
Front Door > Window Switch > ?	93571F30104X	With Memory	333.76	Order By Vehicle Applicati?
Front Door > Window Switch > ?	93570F21004X	Without Memory	199.03	Order By Vehicle Applicati?
Front Door > Window Switch > ?	93575F34004X	With Memory	289.08	Order By Vehicle Applicati?
Front Door > Window Switch > ?	93575F20004X	Without Memory	77.69	Order By Vehicle Applicati?

Labor

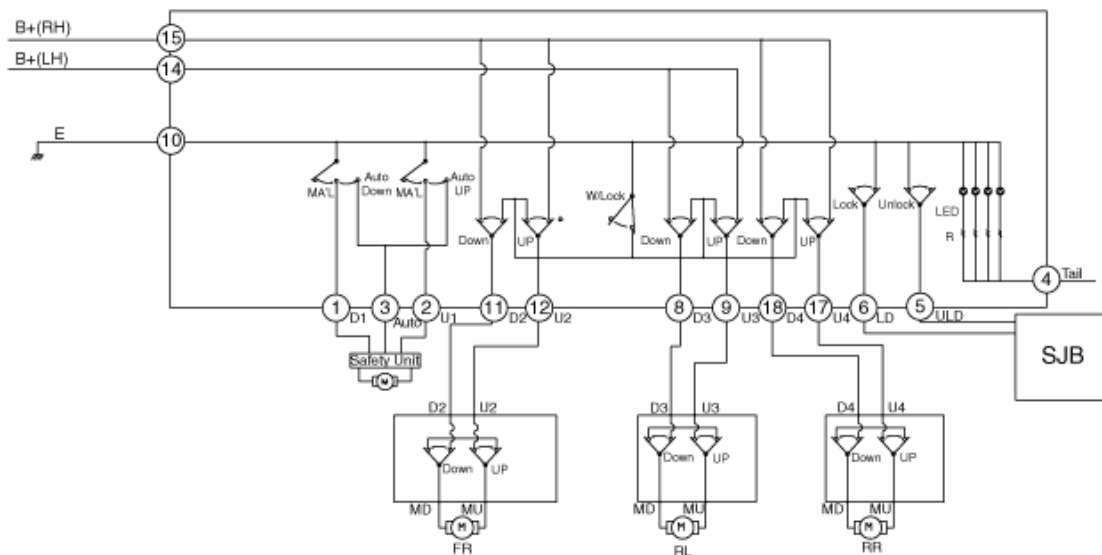
Operation	Qualifier Path	Skill	Std Hrs	Wty Hrs
Remove & Replace	Front Door > Window Switch, R&R > One	B	0.5	0.0
Remove & Replace	Rear Door > Window Switch, R&R > One Side	B	0.5	0.0

Power Window Switch - Schematic Diagrams (Article 44613)

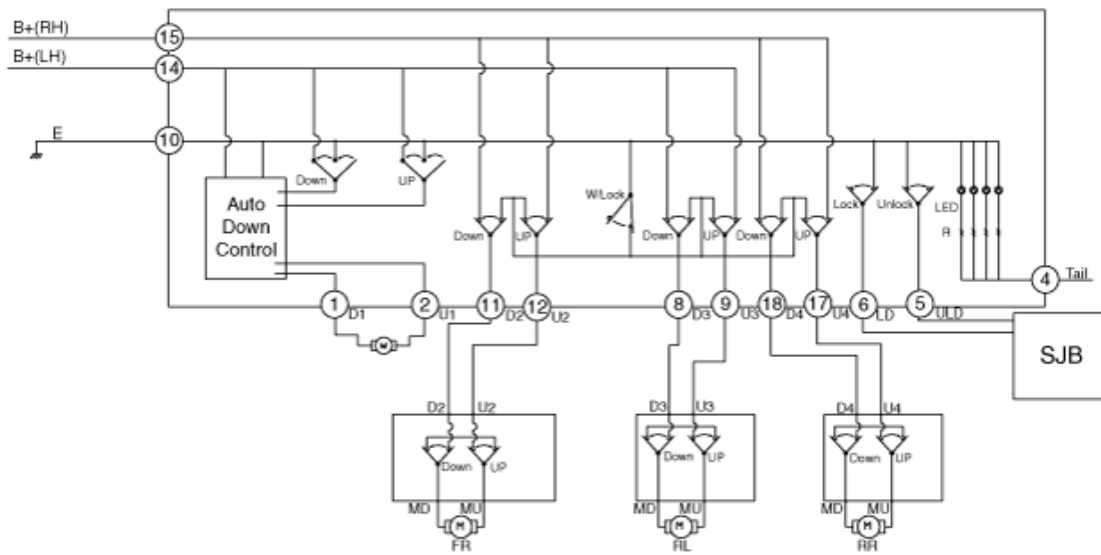
- Circuit Diagram

- Driver Power Window Switch

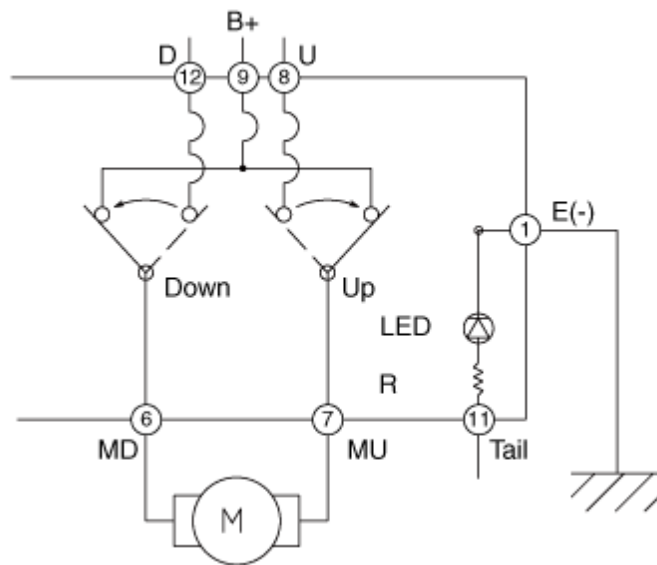
[Driver Power Window Switch (Safety)]



[Driver Power Window Switch (Auto Down)]



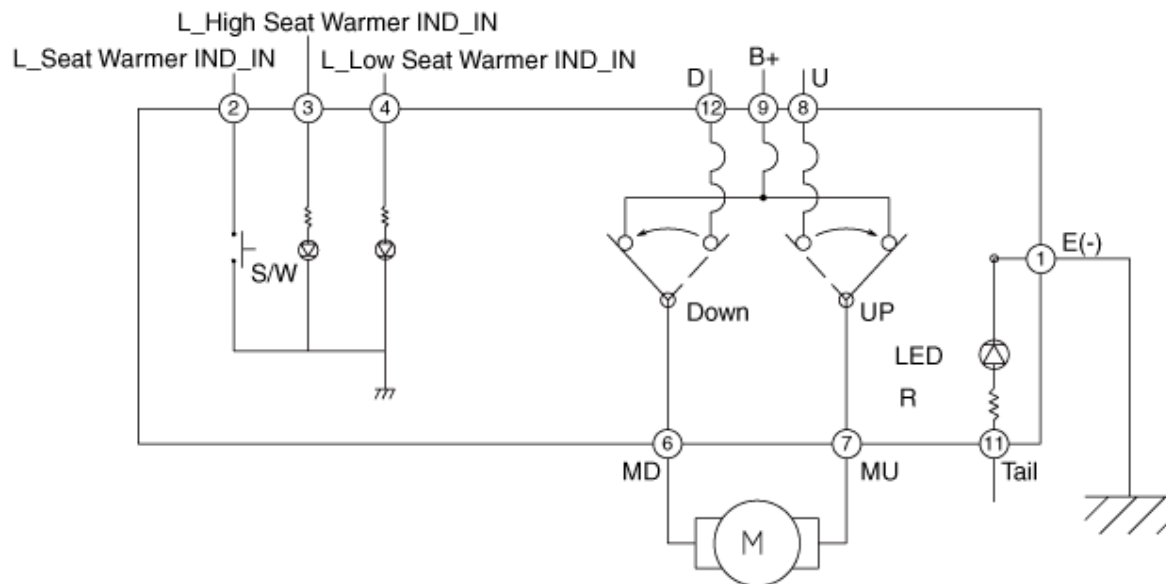
- Assist Power Window Switch



- Rear Power Window Switch

[Rear Power Window Switch (Manual)]

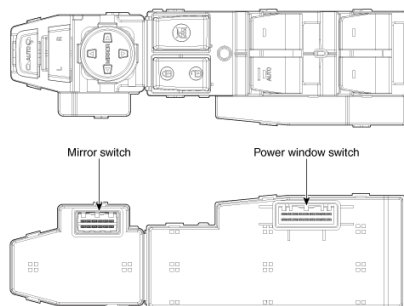
[Rear Power Window Switch (Manual + Seat Heater)]

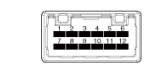
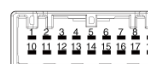


Power Window Switch - Components and Components Location (Article 44611)

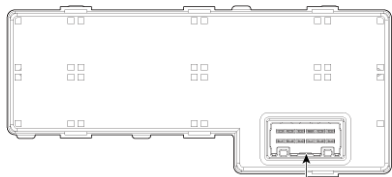
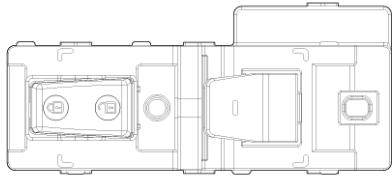
- Components

[Driver Power Window Switch]



Driver mirror switch connector	No	Description	No	Description
	1	Mirror folding switch	7	ACC
	2	Mirror unfolding switch	8	Right mirror (COM)
	3	-	9	Right mirror (Lh /Rh)
	4	-	10	Left mirror (Lh / Rh)
	5	-	11	Left mirror (COM)
	6	GND	12	Mirror (Up / DOWN)
Driver power window switch connector	No	Description	No	Description
	1	Front left window (Down)	10	GND
	2	Front left window (Up)	11	Front right window (Down)
	3	Front left window (Auto)	12	Front right window (Up)
	4	Tail lamp	13	-
	5	Door unlock switch	14	Left (Power)
	6	Door lock switch	15	Right (Power)
	7	-	16	-
	8	Rear left window (Down)	17	Rear right window (Up)
	9	Rear left window (Up)	18	Rear right window (Down)

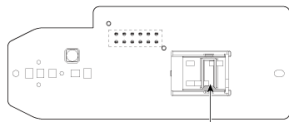
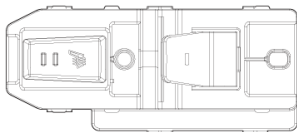
[Assist Power Window Switch]



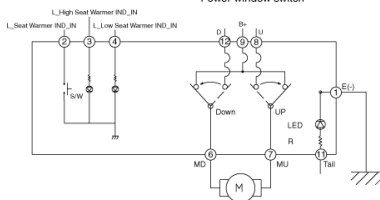
Power window switch

Assist power window switch	No	Description	No	Description
	1	Window (Up)	7	Window (Down)
	2	-	8	Tail
	3	-	9	Power
	4	-	10	Driver switch signal input (Down)
	5	Door lock switch	11	Driver switch signal input (Up)
	6	Door unlock switch	12	GND

[Rear Power Window Switch]



Power window switch



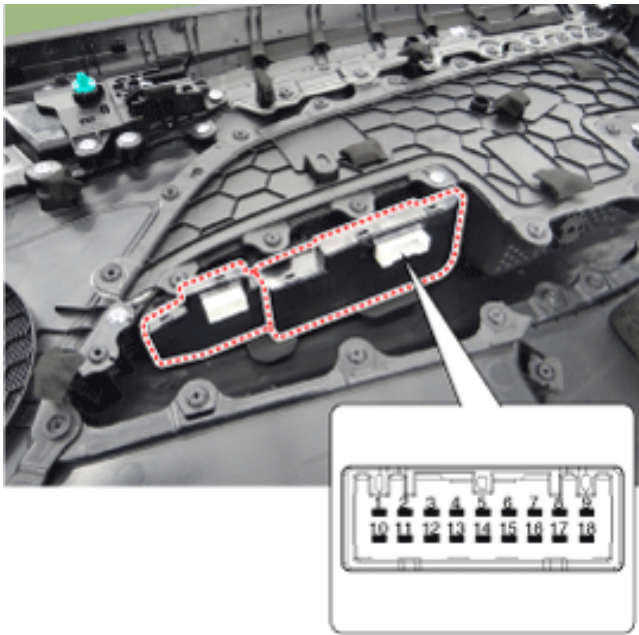
Rear power window switch	No	Description	No	Description
	1	GND	7	Power window (Up)
	2	Seat heater indicator	8	-
	3	Seat heater indicator (High)	9	Battery (+)
	4	Seat heater indicator (Low)	10	-
	5	-	11	Illumination (Tail +)
	6	Power window (Down)	12	-

Power Window Switch - Repair Procedures (Article 44614)

- Inspection

[Driver Power Window Switch]

- Disconnect the negative (-) battery terminal.
- Remove the driver door trim.
- Disconnect the power mirror switch connector from the door trim.



- Check for continuity between the terminals in each switch position as shown below. [Power Window Switch Inspection] [Power Door Lock Switch Inspection] [Power Window Lock Switch Inspection]
 [Power Window Switch Inspection]

Terminal Position	Front Left				Front Right			
	1	2	3	10	10	11	12	15
UP		○	—	○	○	—	○	○
OFF					○	—	○	○
DOWN	○	—	—	○	○	—	○	○
AUTO			○	—				

Terminal Position	Front Left				Front Right			
	8	9	10	14	10	15	17	18
UP		○	—	○	○	—	○	
OFF	○	—	○		○	—	○	○
DOWN	○	—	—	○	○	—	○	○

[Power Door Lock Switch Inspection]

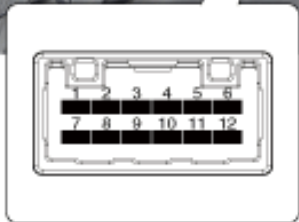
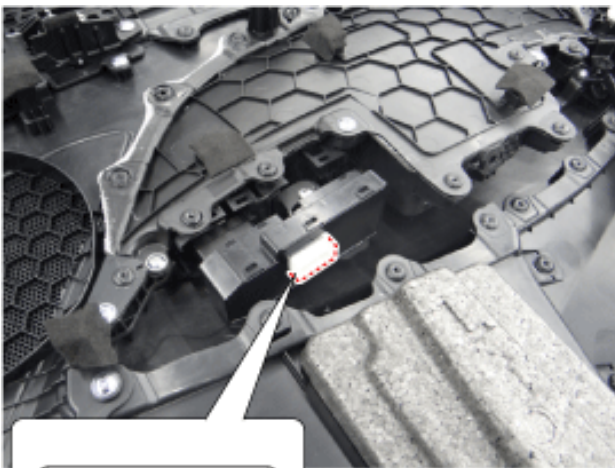
Terminal \ Position	5	10	6
Door Lock		○ ——— ○	
Door Unlock	○ ——— ○		

[Power Window Lock Switch Inspection]

Terminal \ Position	3	6	10	15
Power window lock	○ ——— ○ ——— ○ ——— ○	○ ——— ○		○
Power window unlock				

[Assist Power Window Switch]

- Remove the assist door trim.
- Check for continuity between the terminals in each switch position as shown below.



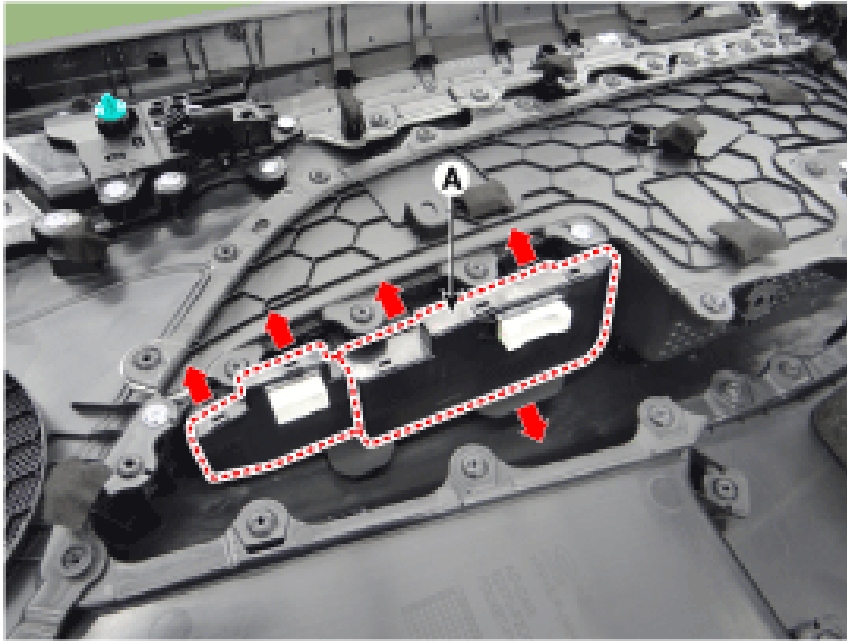
Terminal \ Position	6	7	8	9	12
UP		○ ——— ○		○	
OFF		○ ——— ○			
DOWN	○ ——— ○			○	
	○ ——— ○				○

Rear Power Window Switch

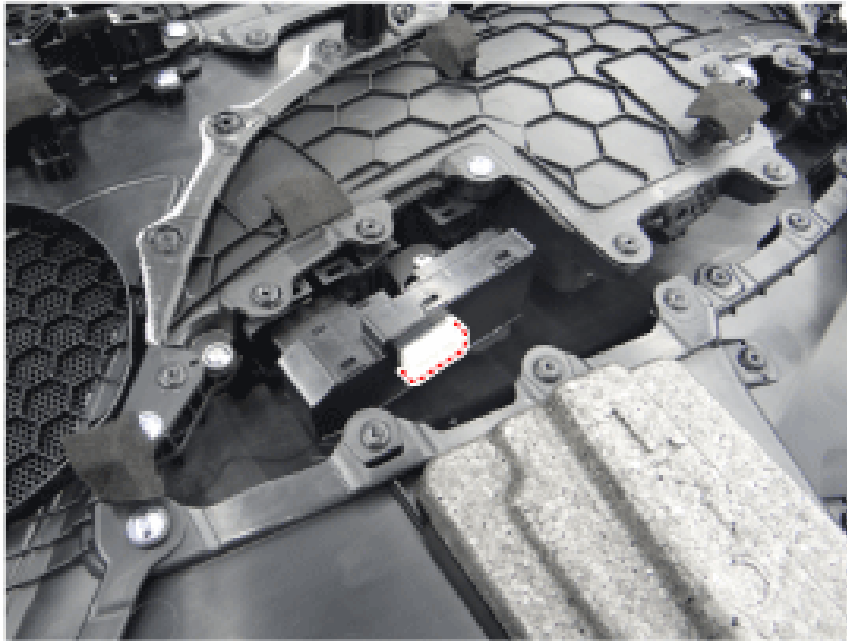
- Remove the rear door trim.
- Check for continuity between the terminals in each switch position as shown below. [Rear Power Window Switch Inspection] [Rear Sear Heater Switch Inspection]
- [Rear Power Window Switch Inspection]
- [Rear Sear Heater Switch Inspection]

Terminal \ Position	1	2
ON	○ ——— ○	
OFF		

- Removal
- Driver / Assist Power Window Switch
- Remove the front door trim.
- Remove the power window switch (A).



- Remove the power window switch assembly after disengaging the mounting clips.



- Installation
- Install the power window switch assembly.
- Install the front door trim after connect the connector.
- Install the rear power window switch.