

Component Procedures: Power Mirror Switch

Table of Contents

1. Parts and Labor (itype_189)
2. Power Door Mirror Switch - Schematic Diagrams (Article 44600)
3. Power Door Mirror Switch - Components and Components Location (Article 44598)
4. Power Door Mirror Switch - Repair Procedures (Article 44601)

Component Procedures: Power Mirror Switch

Parts and Labor (itype_189)

Parts

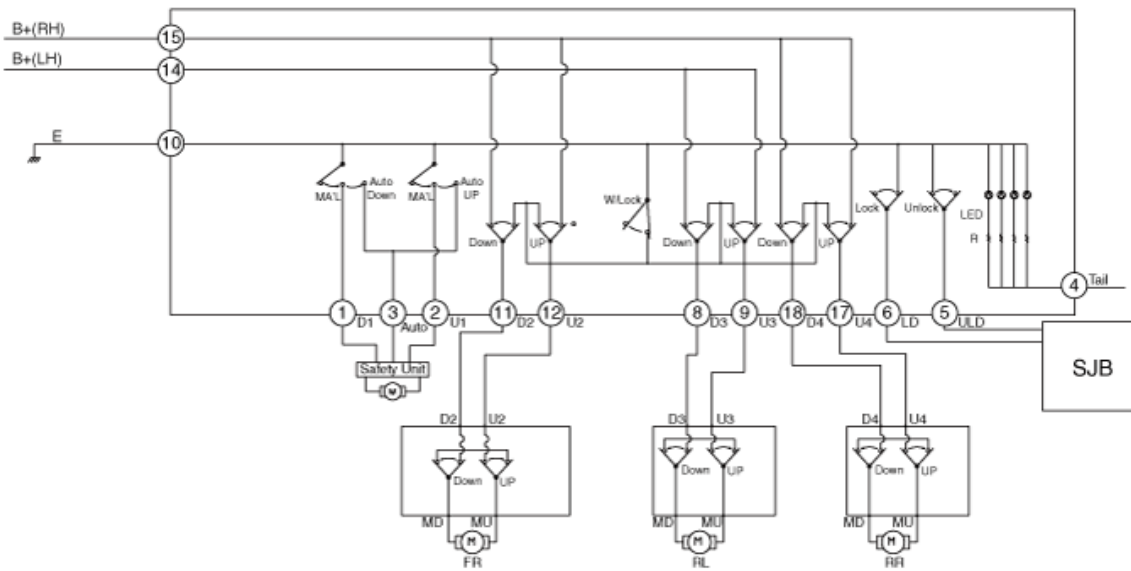
Qualifier	Part #	Name	Price	Note
Mirrors	93573F20104X	Mirror Switch	149.13	

Labor

Operation	Qualifier Path	Skill	Std Hrs	Wty Hrs
Remove & Replace	Mirrors > Switch, R&R	B	0.6	0.0

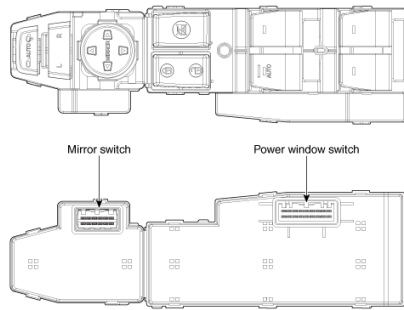
Power Door Mirror Switch - Schematic Diagrams (Article 44600)


- Circuit Diagram




Power Door Mirror Switch - Components and Components Location (Article 44598)

- Components

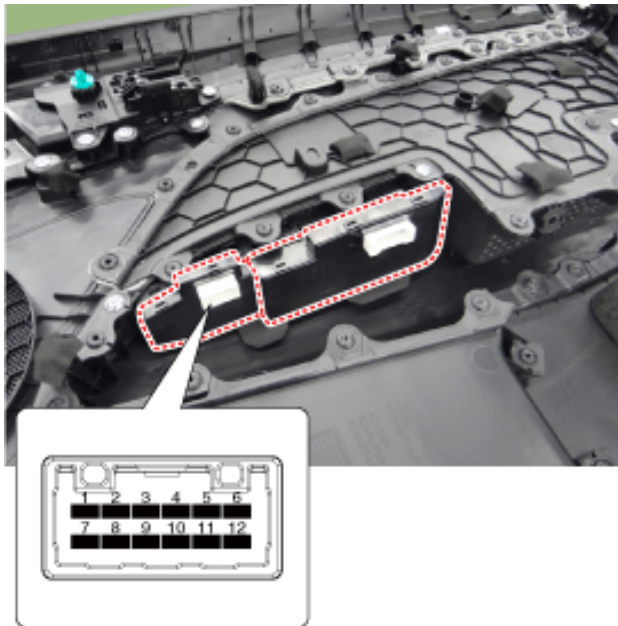


Mirror switch		No	Description	No	Description
	1	Mirror folding switch	7	ACC	
	2	Mirror unfolding switch	8	RH Mirror motor COM	
	3	-	9	RH Mirror horizontal switch	
	4	-	10	LH Mirror horizontal switch	
	5	-	11	LH Mirror motor COM	
	6	GND	12	Mirror vertical switch	

Power window switch		No	Description	No	Description
	1	LH Front window switch (Down)	10	GND	
	2	LH Front window switch (Up)	11	RH Front window switch (Down)	
	3	LH Front window switch (Auto)	12	RH Front window switch (Up)	
	4	Tail lamp	13	-	
	5	Door unlock switch	14	LH Window switch (Power)	
	6	Door lock switch	15	RH Window switch (Power)	
	7	-	16	-	
	8	LH Rear window (Down)	17	RH Rear window switch (Up)	
	9	LH Rear window (Up)	18	RH Rear window switch (Down)	

Power Door Mirror Switch - Repair Procedures (Article 44601)

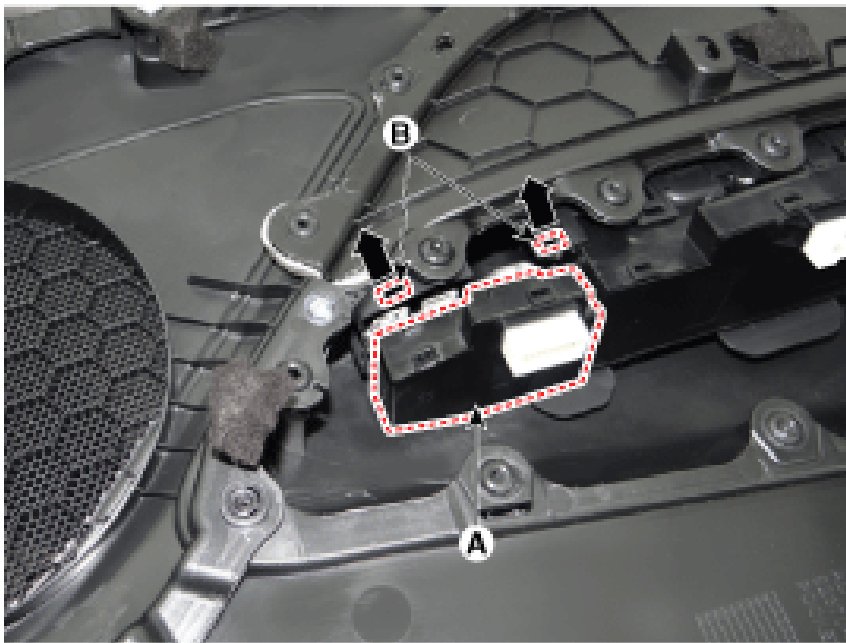
- Inspection
- [Power Window Switch]
- Disconnect the negative (-) battery terminal.
- Remove the driver door trim.
- Disconnect the power mirror switch connector from the door trim.



- Check for continuity between the terminals in each switch position according to the table. [Power Mirror Switch]
- [Power Mirror Switch]

Terminal Position		11	6	3	2	9	5	4
		Left	UP	○	○	○	○	○
Down	○		○	○	○	○		
OFF			○	○	○	○		
Left	○		○	○	○	○		
Right	○		○	○	○	○		
Right	UP	○	○				○	○
	Down	○	○				○	○
	OFF		○				○	○
	Left	○	○				○	○
	Right	○	○				○	○

- Removal
- Remove the front door trim .
- Remove the power window assembly (A).



- Installation
 - Install the power window switch assembly.
 - Install the front door trim after connect the connector.
 - Connect the negative (-) battery terminal. Make sure that the switch connectors are plugged in properly.
- Check the power door mirror system for normal operation.
Make sure that the switch connectors are plugged in properly. Check the power door mirror system for normal operation.

NOTICE

- Make sure that the switch connectors are plugged in properly.
- Check the power door mirror system for normal operation.