

# **Component Procedures: Cruise Control Switch**

## **Table of Contents**

1. Parts and Labor (itype\_189)
2. Cruise Control Switch - Schematic Diagrams (Article 44061)
3. Smart Cruise Control Switch - Schematic Diagrams (Article 44078)
4. Cruise Control Switch - Components and Components Location (Article 44060)
5. Smart Cruise Control Switch - Components and Components Location (Article 44077)
6. Cruise Control Switch - Repair Procedures (Article 44063)
7. Smart Cruise Control Switch - Repair Procedures (Article 44080)

# Component Procedures: Cruise Control Switch

## Parts and Labor (itype\_189)

### Parts

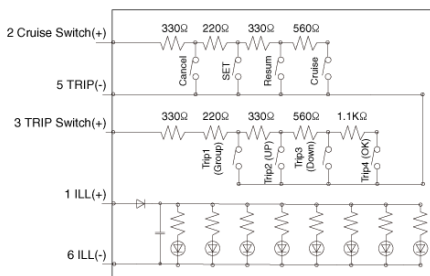
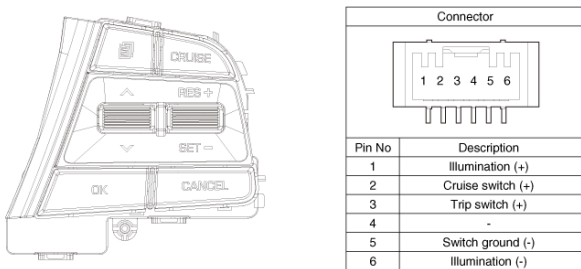
Qualifier	Part #	Name	Price	Note
Cruise Control > Set/Resume ?	96720F2110	With Stop/start	133.92	Order By Vehicle Descripti?
Cruise Control > Set/Resume ?	96720F2130	Without Stop/start	142.26	Order By Vehicle Descripti?
Cruise Control > Set/Resume ?	96720F2010	With Auto Cruise	142.26	Order By Vehicle Descripti?
Cruise Control > Set/Resume ?	96720F2000	Without Auto Cruise	142.26	Order By Vehicle Descripti?

### Labor

Operation	Qualifier Path	Skill	Std Hrs	Wty Hrs
Remove & Replace	Cruise Control > Switch, R&R > Each	B	0.3	0.0

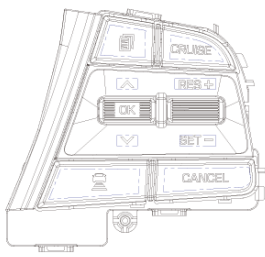
## Cruise Control Switch - Schematic Diagrams (Article 44061)

- Circuit Diagram

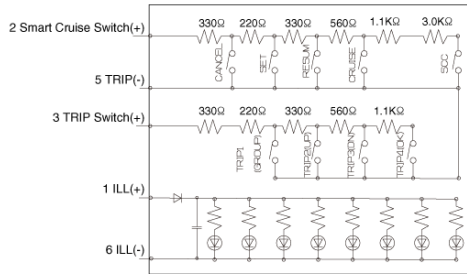


## Smart Cruise Control Switch - Schematic Diagrams (Article 44078)

- Circuit Diagram

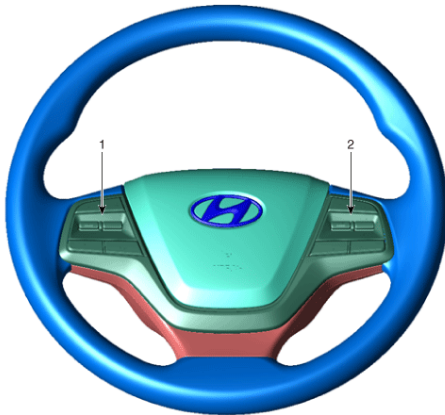


Connector	
Pin NO	Item
1	ILL (+)
2	Cruise switch (+)
3	TRIP switch (+)
4	-
5	Switch ground (-)
6	ILL (-)



## Cruise Control Switch - Components and Components Location (Article 44060)

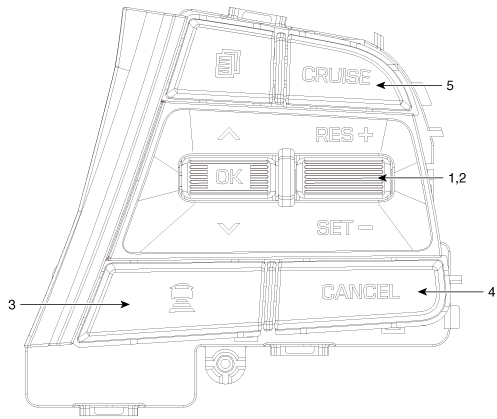
- Components



1. Remote control switch (LH) 2. Remote control switch (RH)

## Smart Cruise Control Switch - Components and Components Location (Article 44077)

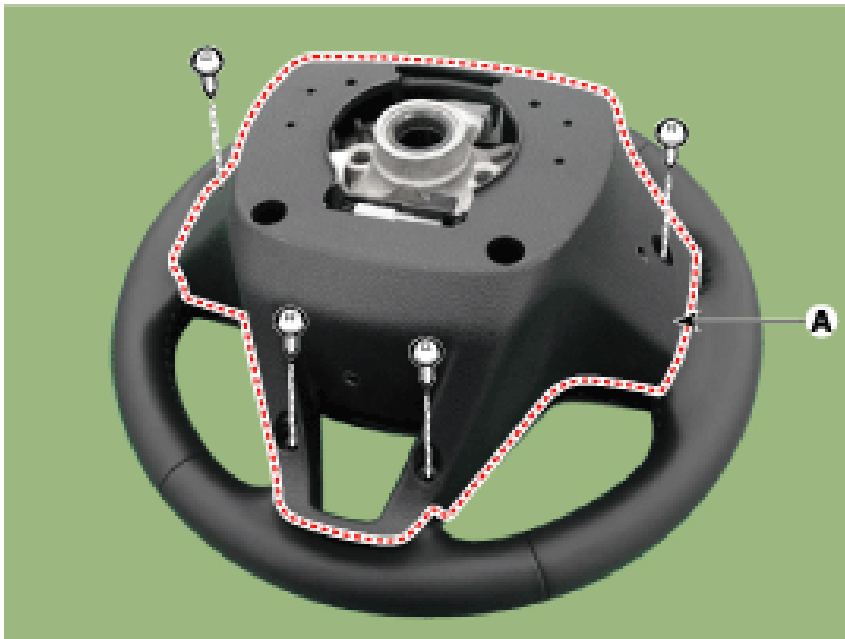
- Components



1. SET - switch 2. RES + switch 3. SCC switch 4. CANCEL switch 5. CRUISE switch

### Cruise Control Switch - Repair Procedures (Article 44063)

- Removal
- Turn the ignition switch OFF and disconnect the battery negative (-) cable.
- Remove the steering wheel assembly.
- Remove the screws from the steering back cover (A).



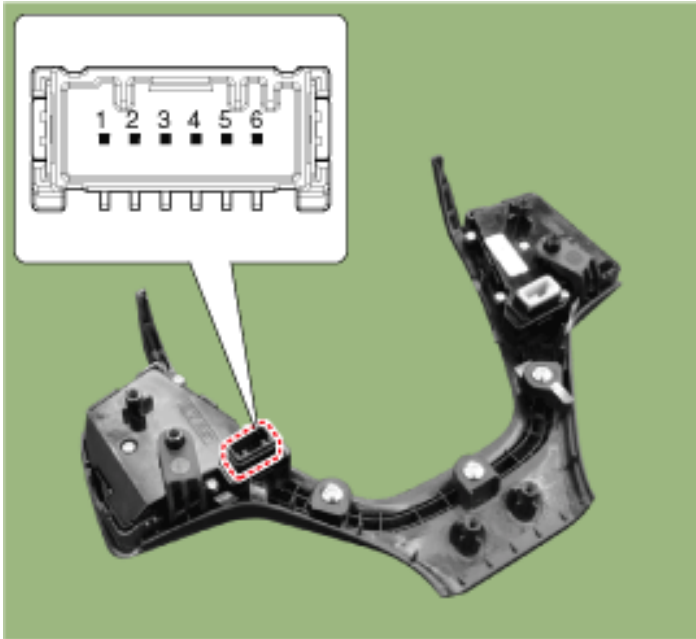
- Remove the steering remote control connector (A).



- Remove the steering remote control (A) after loosening the screws.



- Installation
- Install the steering wheel remote control and cover after connecting the connector.
- Install the steering wheel and driver airbag module.
- Connect the negative (-) battery terminal.
- Inspection
- Remove the cruise control switch .
- Measure the resistance between terminals on the control switch when each function switch is ON. (and switch is depressed) Switch Connector Terminal Resistance ( $\pm 5\%$ ) CANCEL 2 - 5 330  $\Omega$  SET - 2 - 5 550  $\Omega$  RES + 2 - 5 880  $\Omega$  CRUISE 2 - 5 1.44 k $\Omega$



Switch Connector Terminal Resistance ( $\pm 5\%$ )

CANCEL 2 - 5  $330 \Omega$

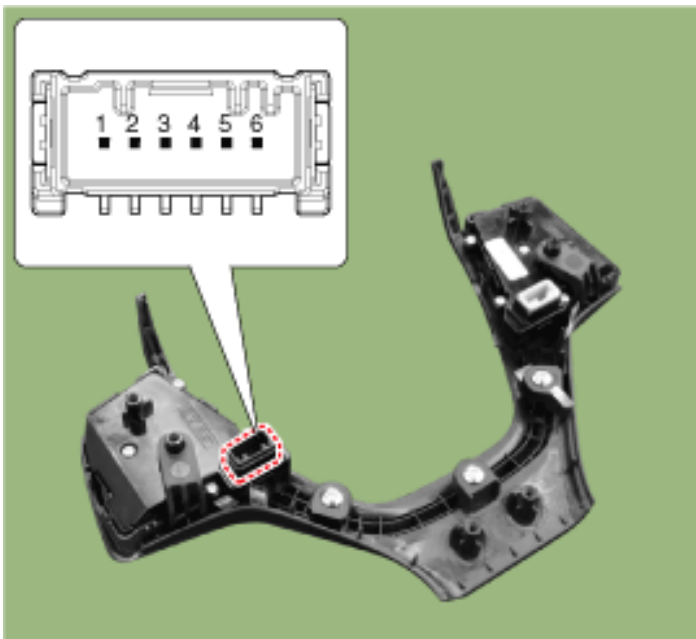
SET - 2 - 5  $550 \Omega$

RES + 2 - 5  $880 \Omega$

CRUISE 2 - 5  $1.44 \text{ k}\Omega$

### Smart Cruise Control Switch - Repair Procedures (Article 44080)

- Inspection
- [Measuring Resistance]
- Disconnect the cruise control switch connector from the control switch.



- Measure resistance between terminals on the control switch when each function switch is ON. (switch is depressed) Function Switch Terminal Resistance SET - 2 - 5  $550\Omega \pm 5\%$  RES + 2 - 5  $880\Omega \pm 5\%$  CANCEL 2 - 5  $330\Omega \pm 5\%$  CRUISE 2 - 5  $1.4 \text{ k}\Omega \pm 5\%$  SCC 2 - 5  $5.54 \text{ k}\Omega \pm 5\%$

Function Switch Terminal Resistance

SET - 2 - 5  $550\Omega \pm 5\%$

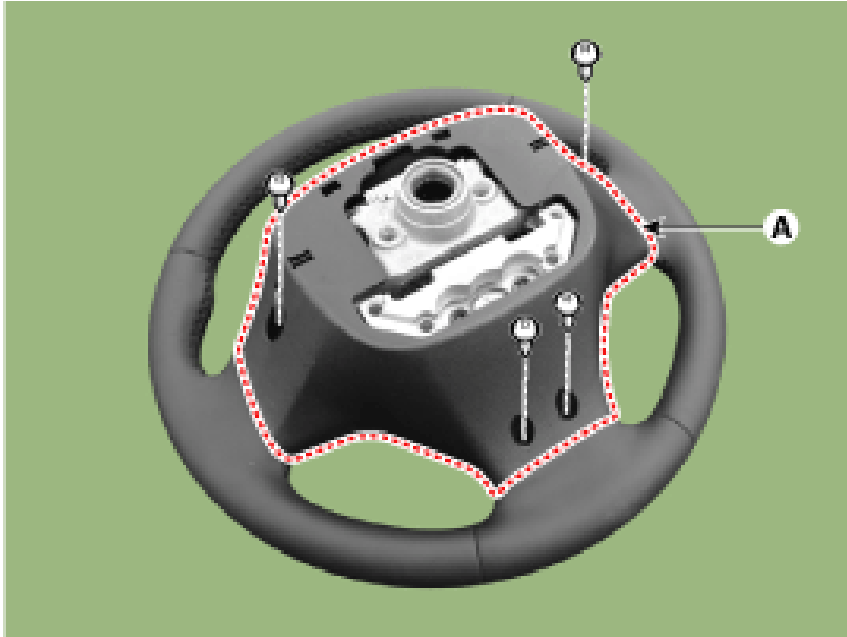
RES + 2 - 5  $880\Omega \pm 5\%$

CANCEL 2 - 5  $330\Omega \pm 5\%$

CRUISE 2 - 5  $1.4 \text{ k}\Omega \pm 5\%$

SCC 2 - 5 5.54 k $\Omega$   $\pm$  5%

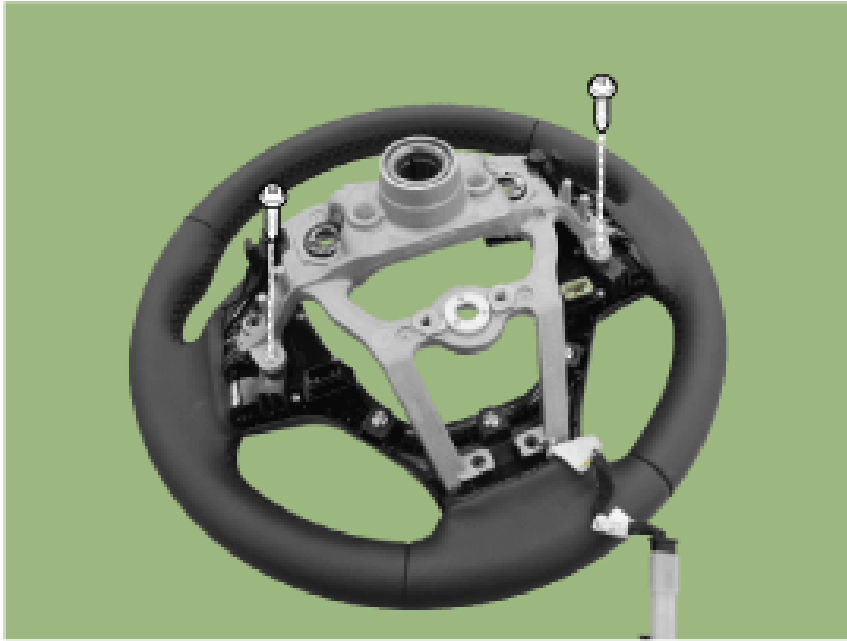
- If not within specification, replace switch.
- Removal
- Disconnect the negative (-) battery terminal.
- Remove the steering wheel assembly. (Refer to Steering System - "Steering Wheel")
- Remove the steering back cover (A).



- Remove the steering remote control connector (A).



- Remove the steering remote control after loosening the screws.



- Installation
- Install in the reverse order of removal.