

Component Procedures: Radio/Stereo

Table of Contents

1. Parts and Labor (itype_189)
2. Audio Unit - Components and Components Location (Audio) (Article 44736)
3. Audio Unit - Repair Procedures (Audio) (Article 44737)
4. All Technical Service Bulletins (itype_100)
5. OEM Policies and Procedures (itype_120)

Component Procedures: Radio/Stereo

Parts and Labor (itype_189)

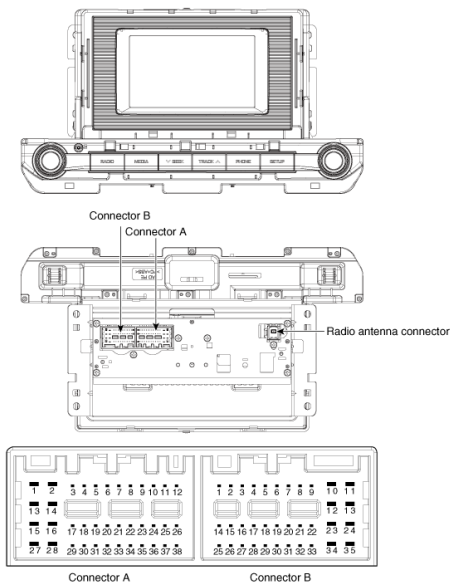
Labor

Operation	Qualifier Path	Skill	Std Hrs	Wty Hrs
Remove & Replace	Antenna & Radio > Radio, R&R	B	0.8	0.0

Audio Unit - Components and Components Location (Audio) (Article 44736)

- Components

[TFT Type]

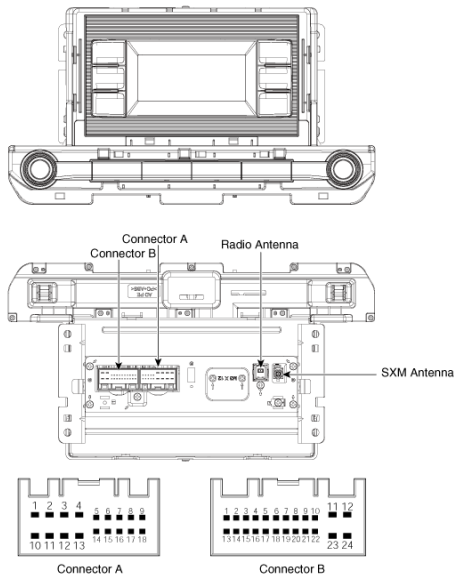


Connector Pin Information

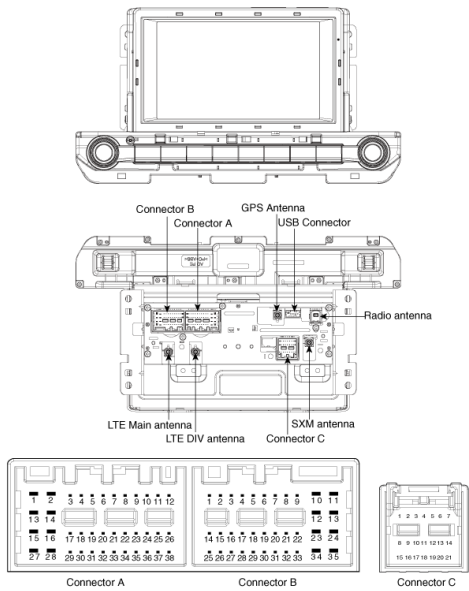
No Connector A Connector B

- 1 Rear left speaker (+) -
- 2 Rear left speaker (-) MIC Signal (+)
- 3 USB GND -
- 4 USB_DATA (HI) -
- 5 USB_DATA (LOW) Antenna Power
- 6 USB VCC ILL (+)
- 7 Camera Video MM CAN (HI)
- 8 - -
- 9 - -
- 10 AUX Audio (RH) B+
- 11 AUX Detect B+
- 12 Steering wheel remote GND
- 13 Front left speaker (+) GND
- 14 Front left speaker (-) -
- 15 Front right speaker (-) MIC Signal (-)
- 16 Front right speaker (+) -
- 17 - -
- 18 - Speed
- 19 - ILL (-)
- 20 Camera Power MM CAN (LOW)
- 21 Camera Video GND -
- 22 - ACC
- 23 - -
- 24 AUX Audio (LH) -
- 25 AUX Audio GDN -

- 26 Steering wheel remote GND -
 - 27 Rear right speaker (-) -
 - 28 Rear right speaker (+) -
 - 29 - -
 - 30 - -
 - 31 - -
 - 32 Camera Power GND IGN 1
 - 33 Camera Shield GND -
 - 34 - -
 - 35 - -
 - 36 Camera Equipment Detect
 - 37 -
 - 38 -
- [MONO Type]

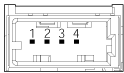
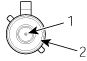
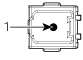
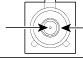
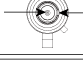
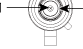


- 1 Rear left speaker (+) MM_CAN High
 - 2 Front left speaker (+) -
 - 3 Front right speaker (+) -
 - 4 Rear right speaker (+) Steering wheel remote
 - 5 - -
 - 6 Door open USB D (+)
 - 7 IGN1 USB VDD
 - 8 Illumination (+) AUX Right input
 - 9 Detent AUX GND
 - 10 Rear left speaker (-) Mic (+) (Bluetooth)
 - 11 Front left speaker (-) ACC
 - 12 Front right speaker (-) B+
 - 13 Rear right speaker (-) MM_CAN Low
 - 14 - -
 - 15 - -
 - 16 - Vehicle Speed
 - 17 Illumination (-) Steering wheel remote GND
 - 18 Remote antenna USB D (-)
 - 19 USB GND
 - 20 AUX DETECT
 - 21 AUX Left input
 - 22 Mic (-) (Bluetooth)
 - 23 -
 - 24 GND
- [Display Audio]



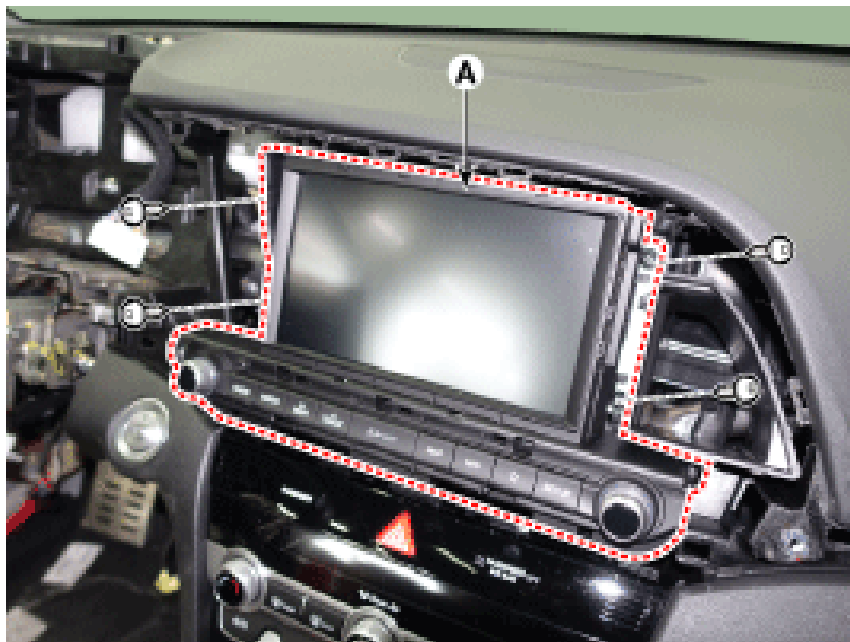
No Connector A (Int AMP) Connector A (Ext AMP) Connector B Connector C

- 1 Rear left speaker (+) - - Body CAN (HI)
- 2 Rear left speaker (-) - MIC Signal (+) Chassis CAN (HI)
- 3 - AMP Navi Voice (+) - -
- 4 - AMP SPDIF (HI) - -
- 5 - - Antenna Powr -
- 6 Camera Power Camera Power ILL (+) -
- 7 Camera Video Camera Video MM CAN (HI) -
- 8 - - - Body CAN (LOW)
- 9 - - - Chassis CAN (LOW)
- 10 AUX Audio (RH) AUX Audio (RH) B+ -
- 11 AUX Detect AUX Detect B+ -
- 12 Steering wheel remote Steering wheel remote GND -
- 13 Front left speaker (+) - GND -
- 14 Front left speaker (-) - MIC GND -
- 15 Front right speaker (-) - MIC Signal (-) -
- 16 Front right speaker (+) - - MTS Key
- 17 - AMP Navi Voice (-) - -
- 18 - AMP SPDIF (LOW) - -
- 19 - AMP SPDIF GND - -
- 20 Camera Power GND Camera Power GND MM CAN (LOW) -
- 21 Camera Video GND Camera Video GND - -
- 22 - - ACC
- 23 - - -
- 24 AUX Audio (LH) AUX Audio (LH) -
- 25 AUX Audio GDN AUX Audio GDN -
- 26 Steering wheel remote GND Steering wheel remote GND -
- 27 Rear right speaker (-) - -
- 28 Rear right speaker (+) - -
- 29 - - -
- 30 - - -
- 31 - - -
- 32 - - -
- 33 - - IGN 1
- 34 - - -
- 35 - - -
- 36 - -
- 37 - -
- 38 Speed Speed

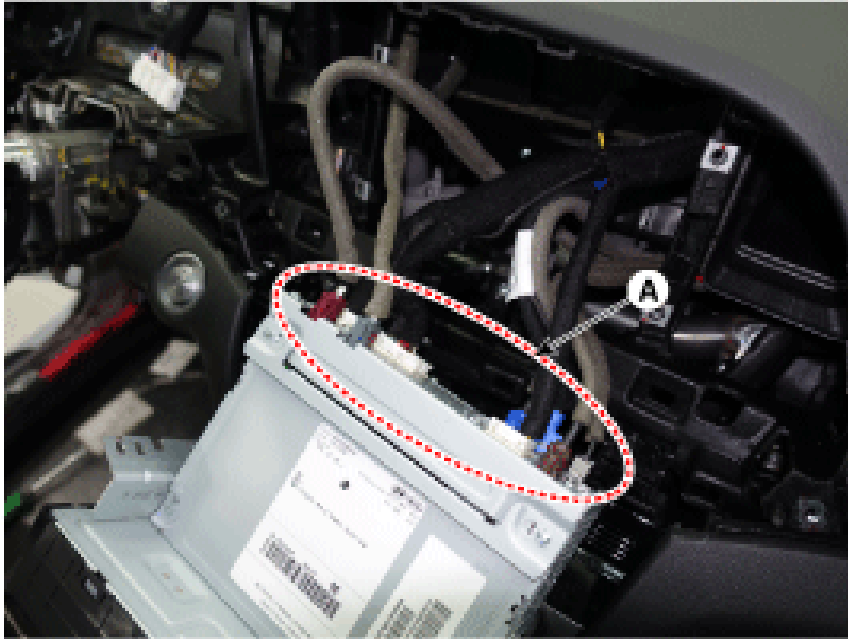
USB Connector	PIN	Description	PIN	Description
	1	USB VOD 5V	3	USB (+)
	2	USB (-)	4	USB GND
GPS Antenna	PIN	Description	PIN	Description
	1	Signal	2	GND
Radio Antenna	PIN	Description	PIN	Description
	1	FM1/AM	2	-
SXM Antenna	PIN	Description	PIN	Description
	1	Signal	2	Ground
LTE(Main) Antenna (USA)	PIN	Description	PIN	Description
	1	Signal	2	Ground
LTE(Div) Antenna (USA)	PIN	Description	PIN	Description
	1	Signal	2	Ground

Audio Unit - Repair Procedures (Audio) (Article 44737)

- Removal
- Disconnect the negative (-) battery terminal.
- Remove the center fascia panel. (Refer to Body - "Center Fascia Panel")
- Remove the audio head unit (A) after loosening the screws.



- Remove the audio head unit after disconnecting the connectors and cable (A). When the compact disc is not ejected, do not remove it forcibly.



When the compact disc is not ejected, do not remove it forcibly.

NOTICE

- When the compact disc is not ejected, do not remove it forcibly.
- Installation
- Connect the audio unit connectors and cable.
- Install the audio head unit.
- Install the center fascia panel.
- Connect the negative (-) battery terminal. Make sure the connector are connected in properly. Check the audio system .
- Make sure the connector are connected in properly.
- Check the audio system .

All Technical Service Bulletins (itype_100)

Tsbs

- USB MULTI-BOX DIAGNOSTIC GUIDELINES (20-BE-001H, 2020/01/15)

OEM Policies and Procedures (itype_120)

Tsbs

- USB MULTI-BOX DIAGNOSTIC GUIDELINES (20-BE-001H, 2020/01/15)