

Component Procedures: Dimmer Switch

Table of Contents

1. Parts and Labor (itype_189)
2. Rheostat - Components and Components Location (Article 44654)
3. Rheostat - Repair Procedures (Article 44655)

Component Procedures: Dimmer Switch

Parts and Labor (itype_189)

Parts

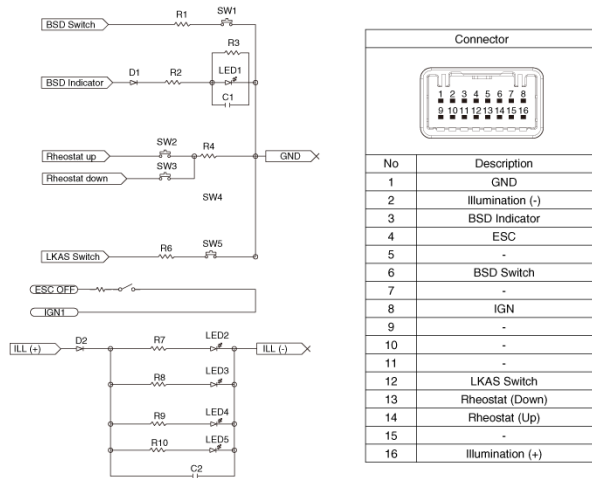
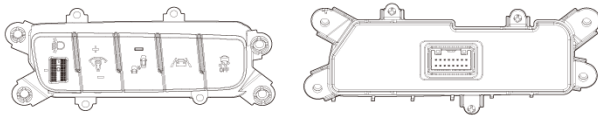
Qualifier	Part #	Name	Price	Note
Switches > Instrument Light ?	93700F2230TRY	With Lane Departure	221.37	Order By Vehicle Applicati?
Switches > Instrument Light ?	93700F2200PKG	Without Lane Departure	221.37	Order By Vehicle Applicati?

Labor

Operation	Qualifier Path	Skill	Std Hrs	Wty Hrs
Remove & Replace	Switches > Instrument Light Rheostat, R&R	B	0.5	0.0

Rheostat - Components and Components Location (Article 44654)

- Components

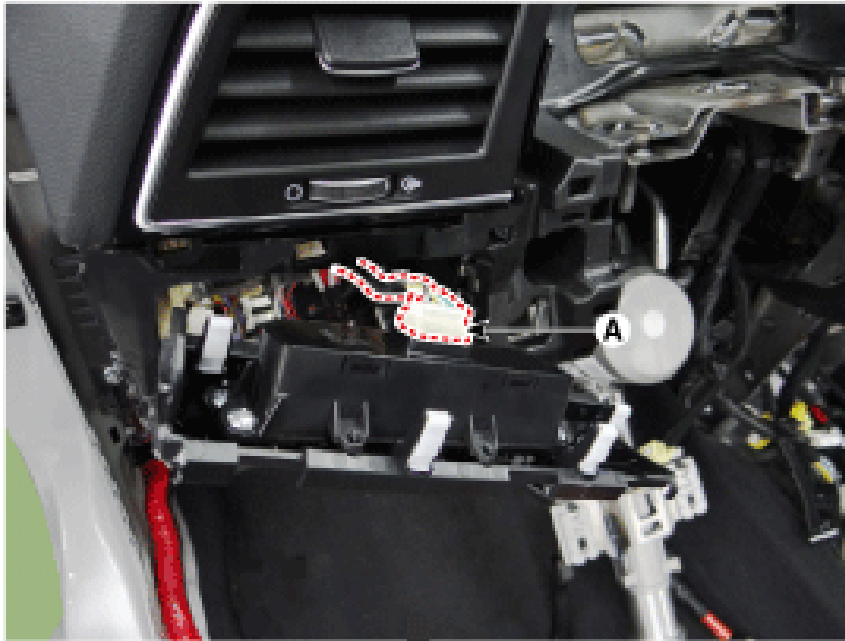


Rheostat - Repair Procedures (Article 44655)

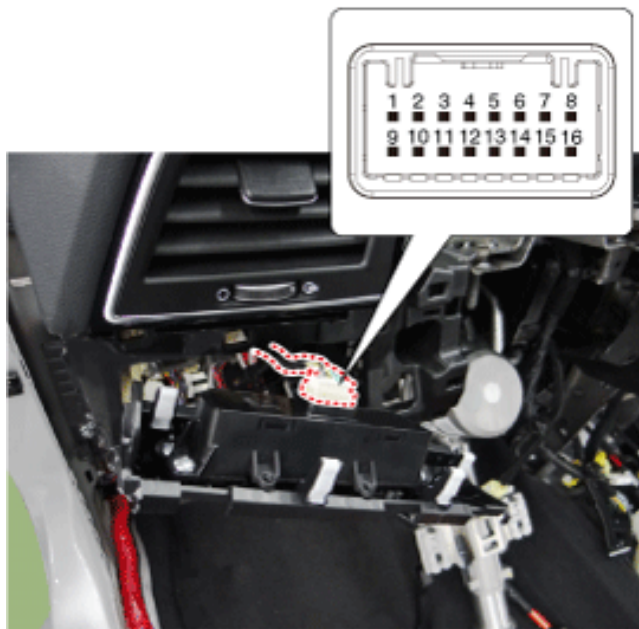
- Inspection
- Disconnect the negative (-) battery terminal.
- Remove the crash pad lower panel. (Refer to Body - "Crash Pad Lower Panel")



- Disconnect the rheostat switch connector (A).



- Check for intensity of new rheostat switch. If the light intensity of the lamps changes smoothly without any flickering when the rheostat is turned, it can be assumed that the rheostat is normal.



Terminal Position	UP(+)	Down(-)	Description
13			Down
1			GND
14			Up
2			ILL (-)
16			ILL (+)