

Component Procedures: Harmonic Balancer - Crankshaft Pulley

Table of Contents

1. Parts and Labor (itype_189)
2. Crankshaft Damper Pulley - Components and Components Location (Article 45330)
3. Crankshaft Damper Pulley - Repair Procedures (Article 45331)

Component Procedures: Harmonic Balancer - Crankshaft Pulley

Parts and Labor (itype_189)

Parts

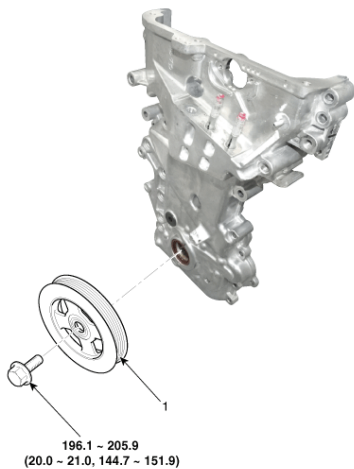
Qualifier	Part #	Name	Price	Note
Crankshaft & Bearings > Vibr?	231242E000	26 - Korea Built	158.60	
Crankshaft & Bearings > Vibr?	231242E502	26 - Us Built	158.60	

Labor

Operation	Qualifier Path	Skill	Std Hrs	Wty Hrs
Remove & Replace	Crankshaft & Bearings > Pulley, R&R	B	1.3	0.0

Crankshaft Damper Pulley - Components and Components Location (Article 45330)

- Components

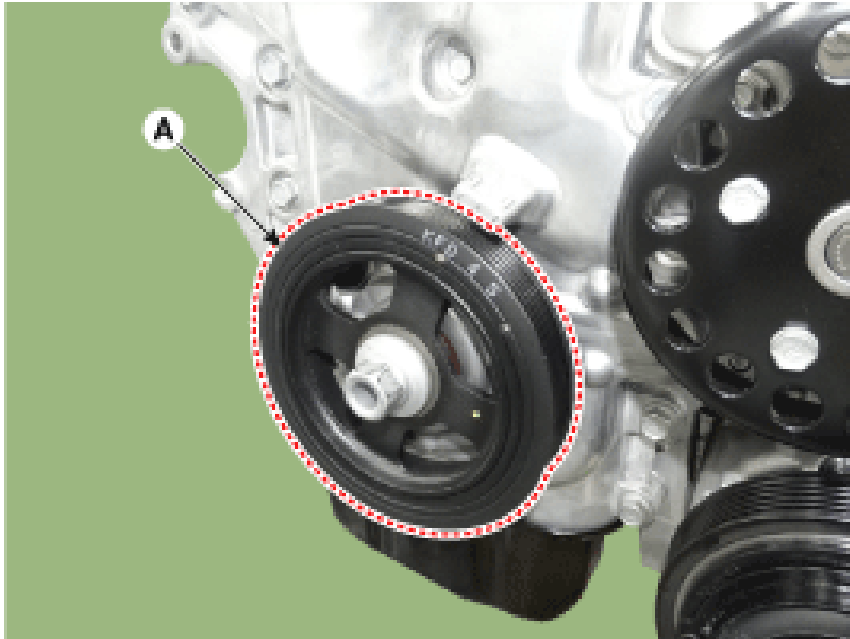


Tightening torque : N.m (kgf.m, lb-ft)

1. Crankshaft damper pulley

Crankshaft Damper Pulley - Repair Procedures (Article 45331)

- Removal and Installation
- Remove the RH front wheel. (Refer to Suspension System - "Wheel")
- Remove the drive belt .
- Remove the engine room under cover . (Refer to Engine and Transaxle Assembly - "Engine Room Under Cover")
- Remove the crankshaft damper pulley (A). Tightening torque : 196.1 - 205.9 N.m (20.0 - 21.0 kgf.m, 144.7 - 151.9 lb-ft) Do not press the pulley or apply the excessive force to prevent the rubber part from being deformed. There are two methods to hold the ring gear when removing the crankshaft damper pulley. Install the SST (09231-2B100, 09231-3N100) to hold the ring gear after removing the starter. Install the SST (09231-3D100, 09231-2W100) to hold the ring gear after removing the service cover. Remove the transaxle mounting bolt (A) and the service cover (B) on the bottom of the lower crankcase . Remove the transaxle mounting bolt (C) on the bottom of the lower crankcase. Adjust the length of the holder (A) so that the grooves of the holder puts into the ring gears (B) at the closest position. Adjust the angle and length of the links (C) so that the two transaxle mounting bolts can be fastened into the original mounted holes. Install the SST using the two transaxle mounting bolts. Tighten the bolts and nuts of the holder and links securely.



Do not press the pulley or apply the excessive force to prevent the rubber part from being deformed.

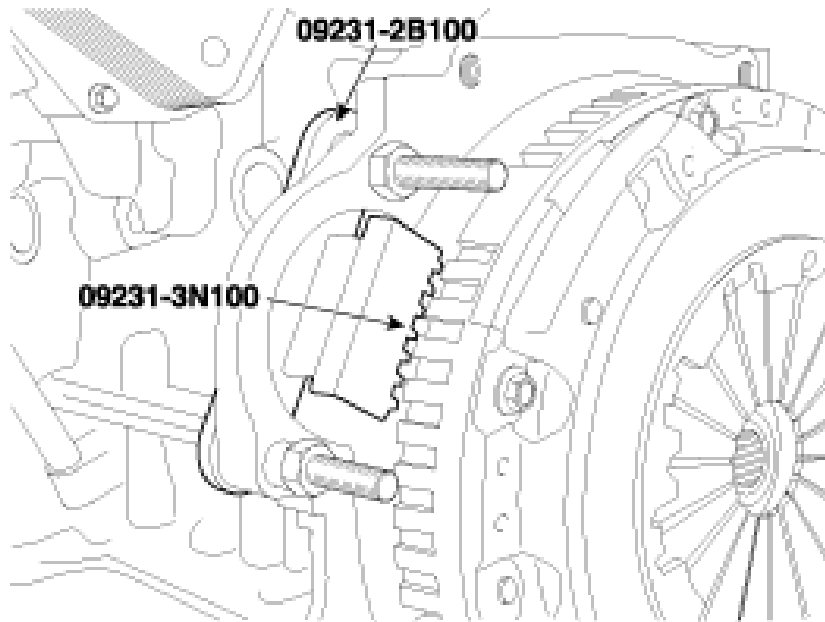
NOTICE

- Do not press the pulley or apply the excessive force to prevent the rubber part from being deformed. There are two methods to hold the ring gear when removing the crankshaft damper pulley. Install the SST (09231-2B100, 09231-3N100) to hold the ring gear after removing the starter. Install the SST (09231-3D100, 09231-2W100) to hold the ring gear after removing the service cover. Remove the transaxle mounting bolt (A) and the service cover (B) on the bottom of the lower crankcase. Remove the transaxle mounting bolt (C) on the bottom of the lower crankcase. Adjust the length of the holder (A) so that the grooves of the holder puts into the ring gears (B) at the closest position. Adjust the angle and length of the links (C) so that the two transaxle mounting bolts can be fastened into the original mounted holes. Install the SST using the two transaxle mounting bolts. Tighten the bolts and nuts of the holder and links securely.

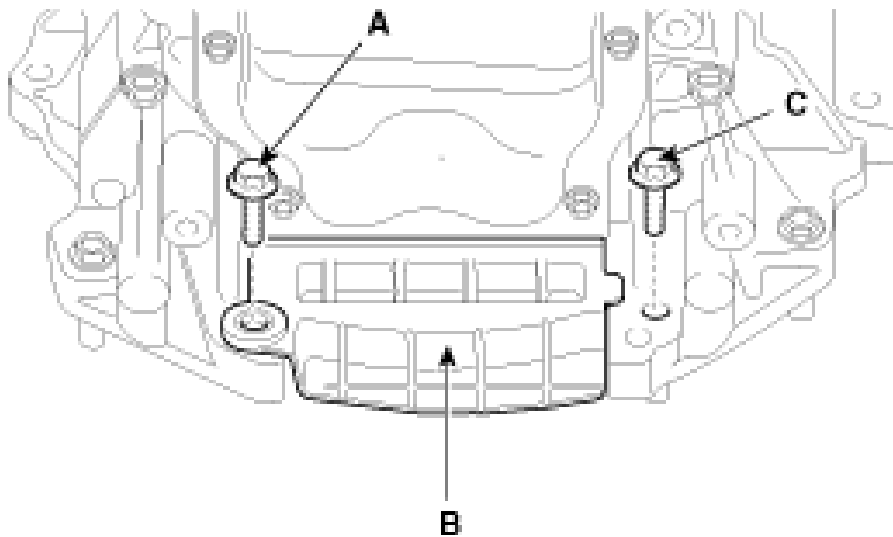


Information

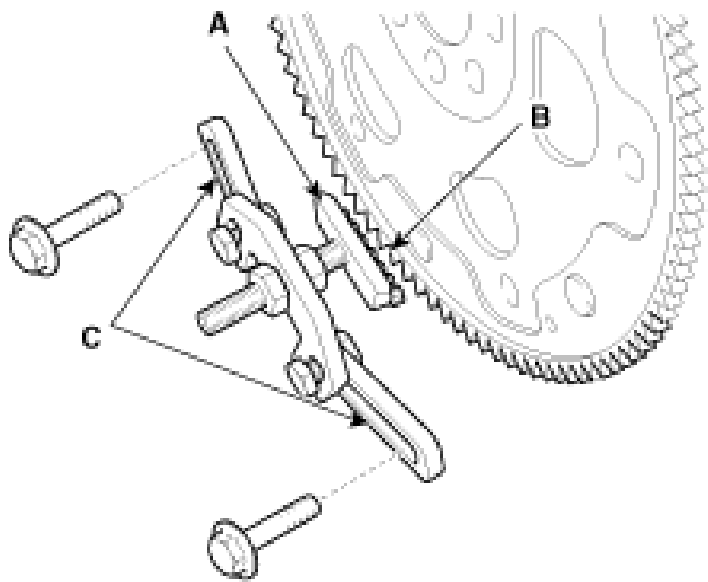
- Install the SST (09231-2B100, 09231-3N100) to hold the ring gear after removing the starter.



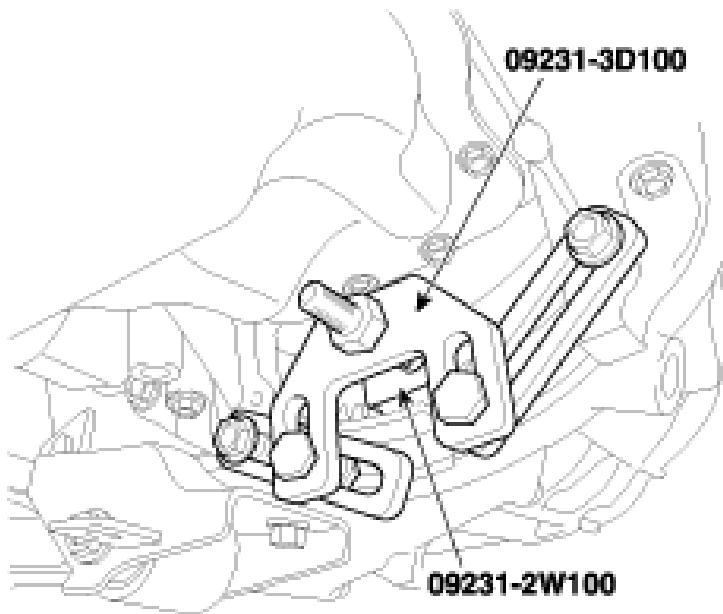
- Install the SST (09231-3D100, 09231-2W100) to hold the ring gear after removing the service cover.
- Remove the transaxle mounting bolt (A) and the service cover (B) on the bottom of the lower crankcase .
- Remove the transaxle mounting bolt (C) on the bottom of the lower crankcase.



- Adjust the length of the holder (A) so that the grooves of the holder puts into the ring gears (B) at the closest position.
- Adjust the angle and length of the links (C) so that the two transaxle mounting bolts can be fastened into the original mounted holes.



- Install the SST using the two transaxle mounting bolts. Tighten the bolts and nuts of the holder and links securely.



- Install in the reverse order of removal.
- Inspection