

Component Procedures: Steering Wheel

Table of Contents

1. Parts and Labor (itype_189)
2. Heated Steering Wheel - Description and Operation (Article 44248)
3. Heated Steering Wheel - Schematic Diagrams (Article 44251)
4. Heated Steering Wheel Circuit (Article 11328)
5. Heated Steering Wheel - Components and Components Location (Article 44247)
6. Steering Wheel - Components and Components Location (Article 44245)
7. Heated Steering Wheel - Repair Procedures (Article 44253)
8. Steering Wheel - Repair Procedures (Article 44246)
9. Heated Steering Wheel - Specifications (Article 44249)
10. All New Technical Service Bulletins (itype_432)
11. All Technical Service Bulletins (itype_100)

Component Procedures: Steering Wheel

Parts and Labor (itype_189)

Parts

Qualifier	Part #	Name	Price	Note
Steering Wheel > Steering Wh?	56110F3030SSH	Without Leather	1035.29	Order By Vehicle Applicati?
Steering Wheel > Steering Wh?	56110F3670SSH	With Stop/start	827.21	Order By Vehicle Applicati?
Steering Wheel > Steering Wh?	56110F3660SSH	Without Stop/start	1035.29	Order By Vehicle Applicati?

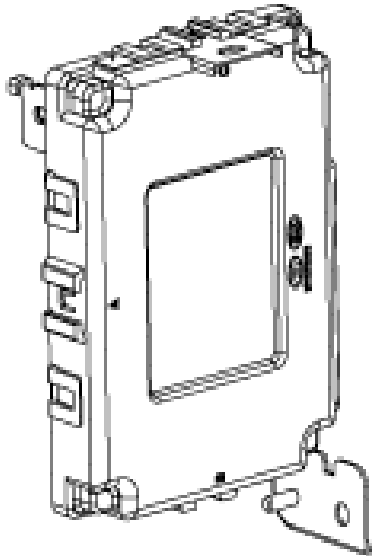
Labor

Operation	Qualifier Path	Skill	Std Hrs	Wty Hrs
Remove & Replace	Steering Wheel > Steering Wheel, R&R	B	0.7	0.0

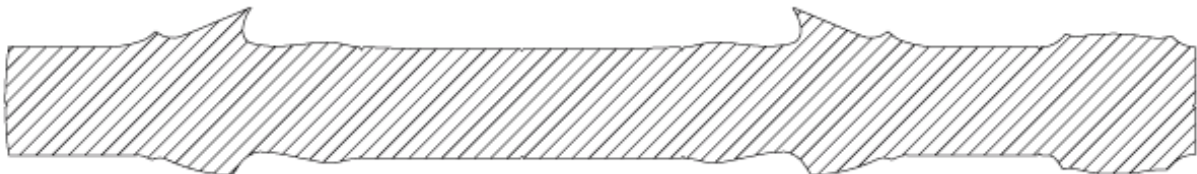
Heated Steering Wheel - Description and Operation (Article 44248)

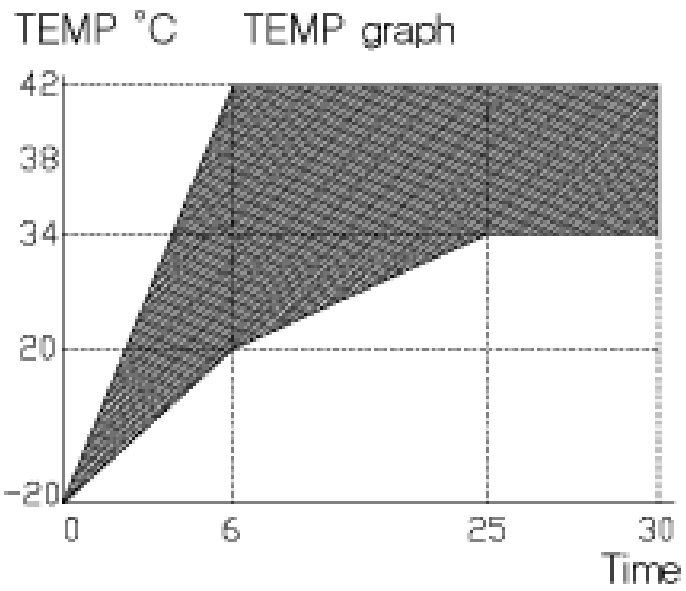
- Description

Heated control unit (Body control module(BCM))



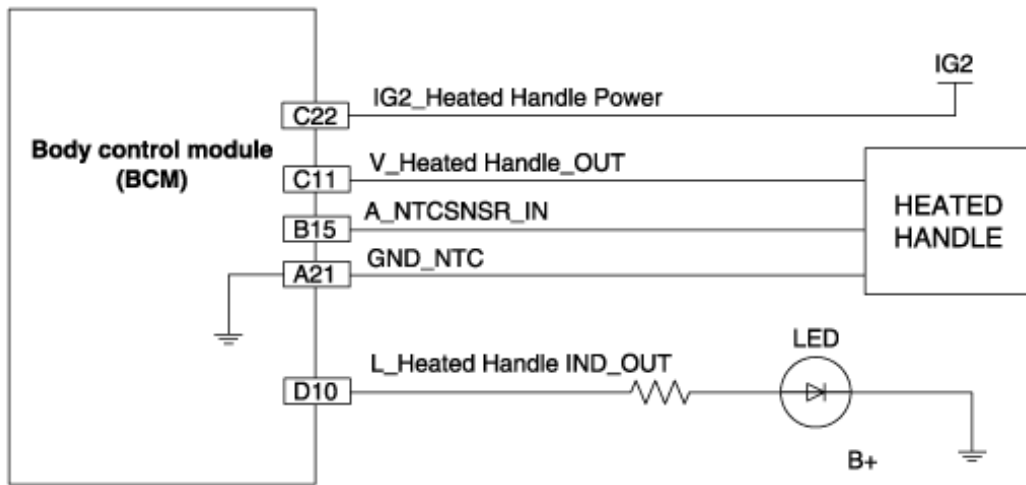
Heated pad



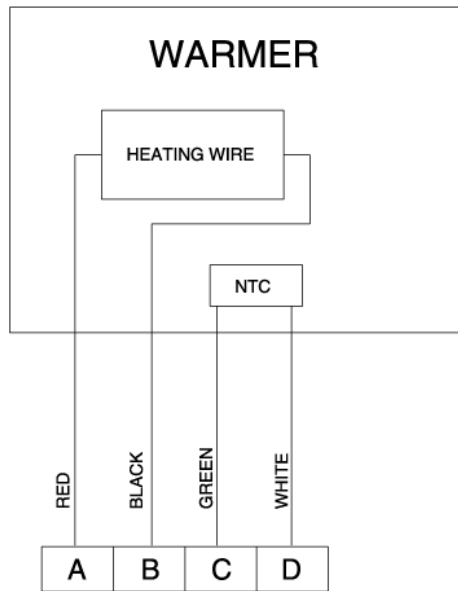


Heated Steering Wheel - Schematic Diagrams (Article 44251)

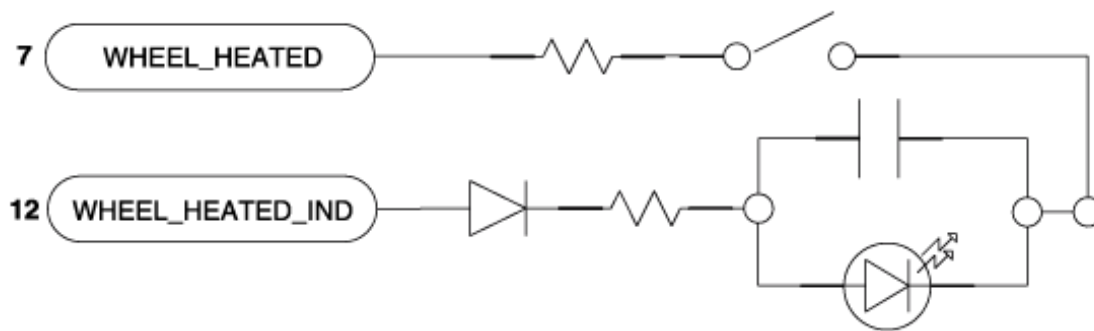
- System Circuit Diagram
Body control unit



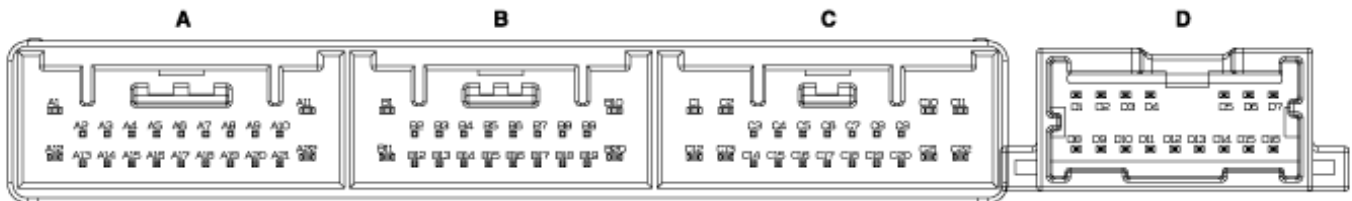
Heated steering wheel pad



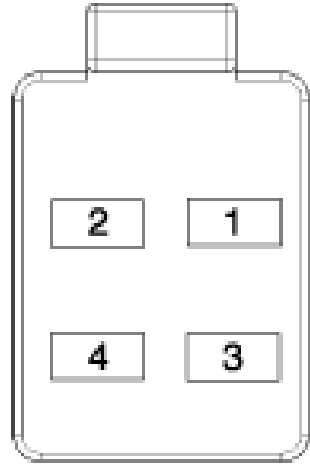
Heated steering wheel switch



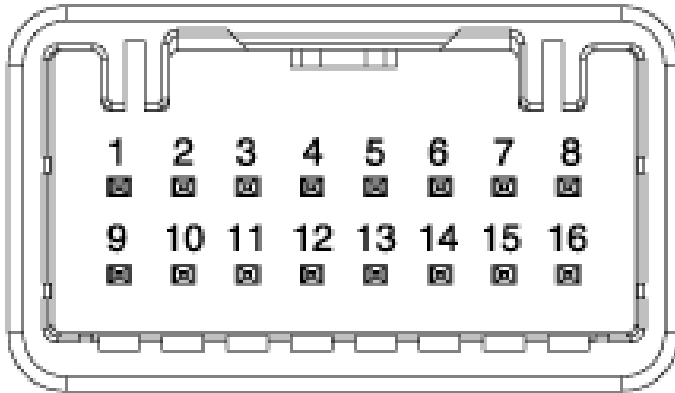
- Terminal function
Body control unit



- Pin Function
- C22 Ignition 2_Heated handle power
 - C11 Heated handle
 - A21 NTC (-)
 - B15 NTC (+)
 - D10 Heated handle IND.



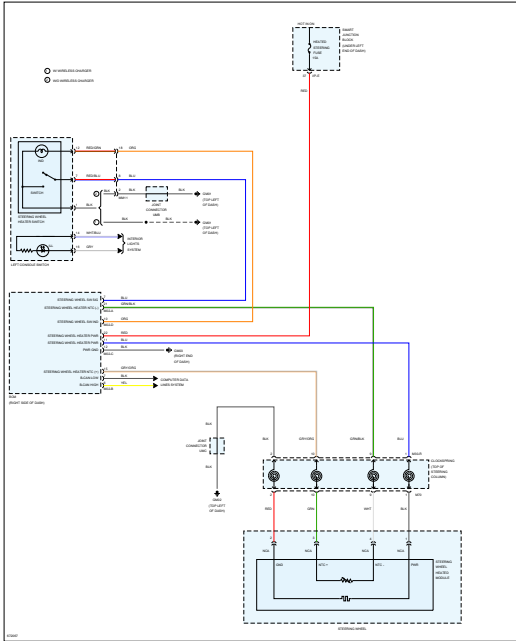
Housing Pin Function Wire color
Pad A Ground RED
B HEATER BLACK
C NTC+ GREEN
D NTC- WHITE



7 Wheel heated
12 Wheel heated IND.

Heated Steering Wheel Circuit (Article 11328)

Heated Steering Wheel Circuit

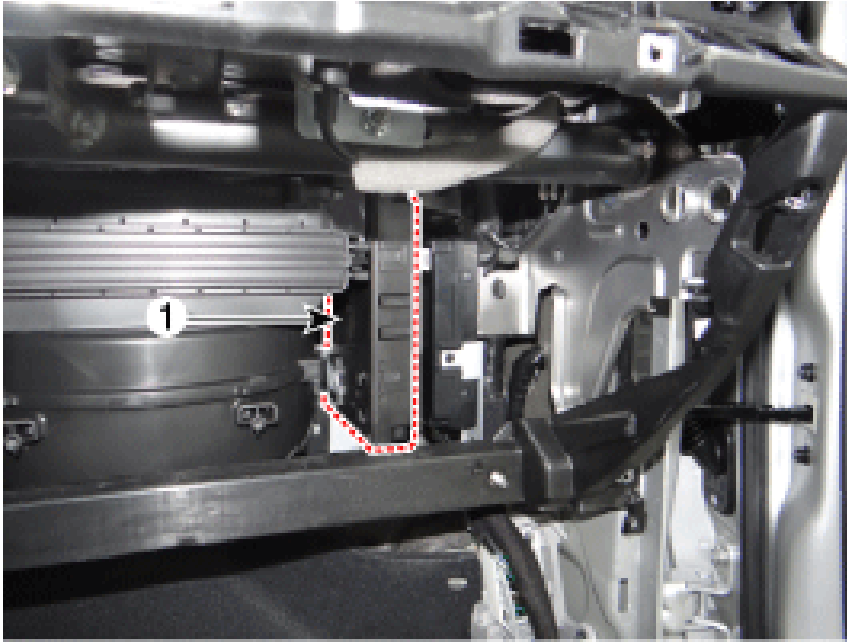


Heated Steering Wheel - Components and Components Location (Article 44247)

- Components location (1)
- Heated steering wheel switch



- 1. Heated steering switch
- Components location (2)
- Heated steering wheel control module (Body control modul(BCM))



1. Body control module

Steering Wheel - Components and Components Location (Article 44245)

- Components



1. Driver airbag module(DAB) 2. Remote control switch 3. wiring 4. Steering wheel 5. Lower cover

Heated Steering Wheel - Repair Procedures (Article 44253)

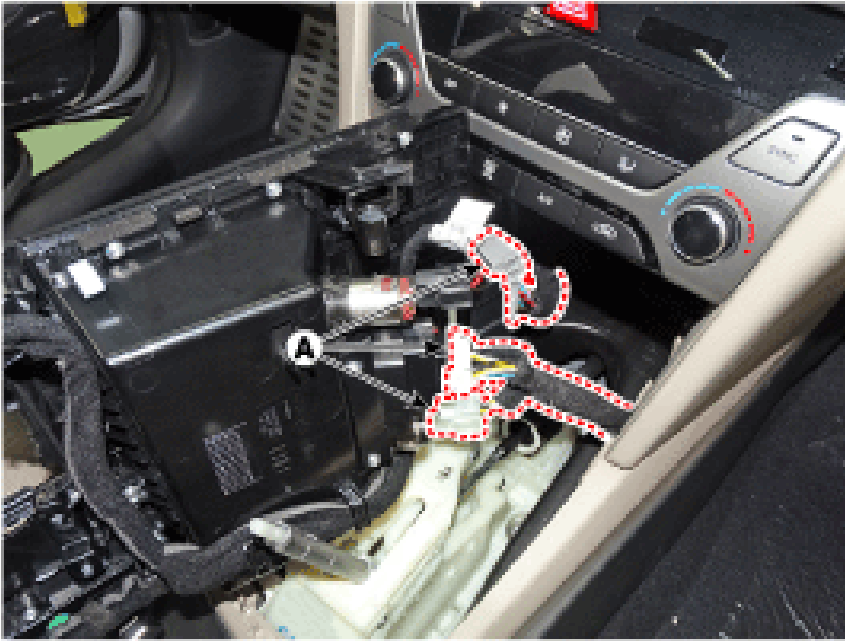
- Removal

Heated steering wheel switch

- Disconnect the negative (-) battery terminal.

- Remove the floor console upper complete assembly. (Refer to Body - "Floor Console Assembly")

- Disconnect the connector (A).



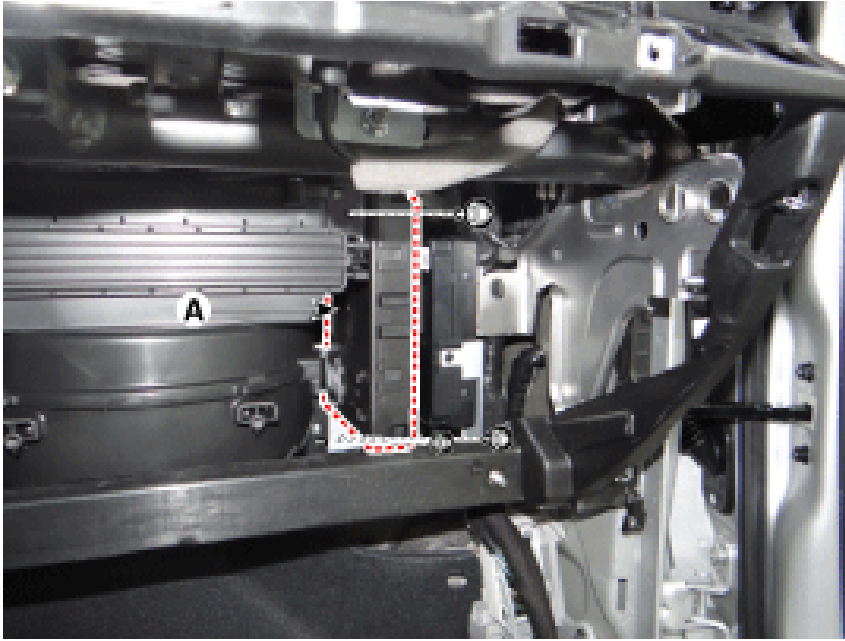
- Install in the reverse order of removal.

Heated steering wheel control module (Body control module(BCM))

- Remove the glove box. (Refer to Body - "Glove Box Upper Cover Assembly")
- Remove the smart key unit. (Refer to Body - "Smart Key Unit")
- Disconnect the body control module connectors (A).

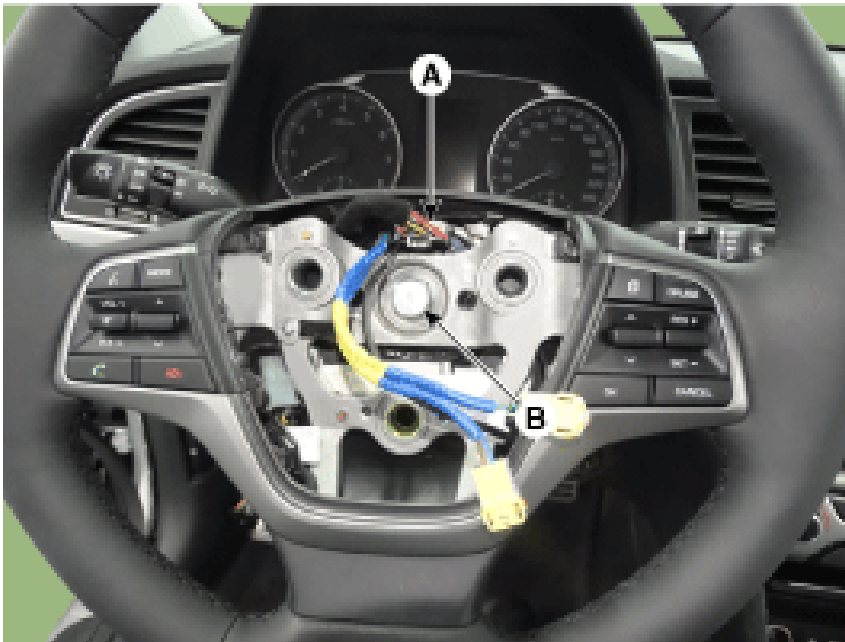


- Remove the body control module (A) after loosening the mounting nuts.



Steering Wheel - Repair Procedures (Article 44246)

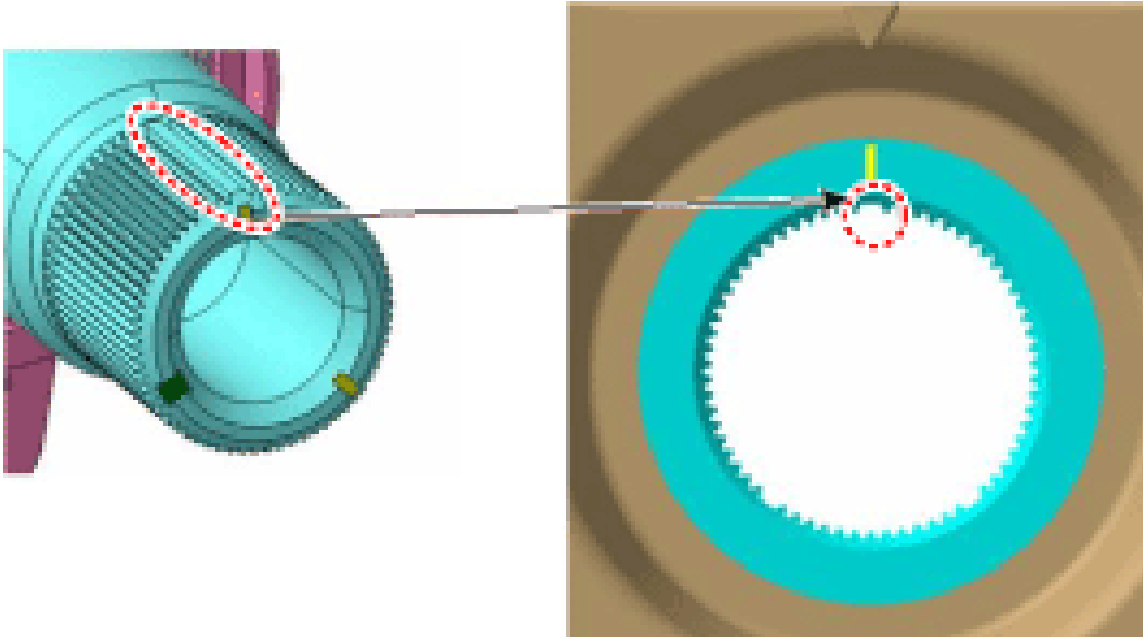
- Removal
- Disconnect the battery negative cable from the battery and then wait for at least 30 seconds.
- Turn the steering wheel so that the front wheels are placed in the straight ahead position.
- Remove the driver airbag module (DAB). (Refer to Restraint - "Driver Airbag (DAB) Module and Clock Spring")
- Disconnect the connector (A) and then remove the steering wheel by loosening the lock bolt (B). Do not reuse the steering lock bolt. When assembling, match the gear teeth as the below illustration.



Do not reuse the steering lock bolt. When assembling, match the gear teeth as the below illustration.

NOTICE

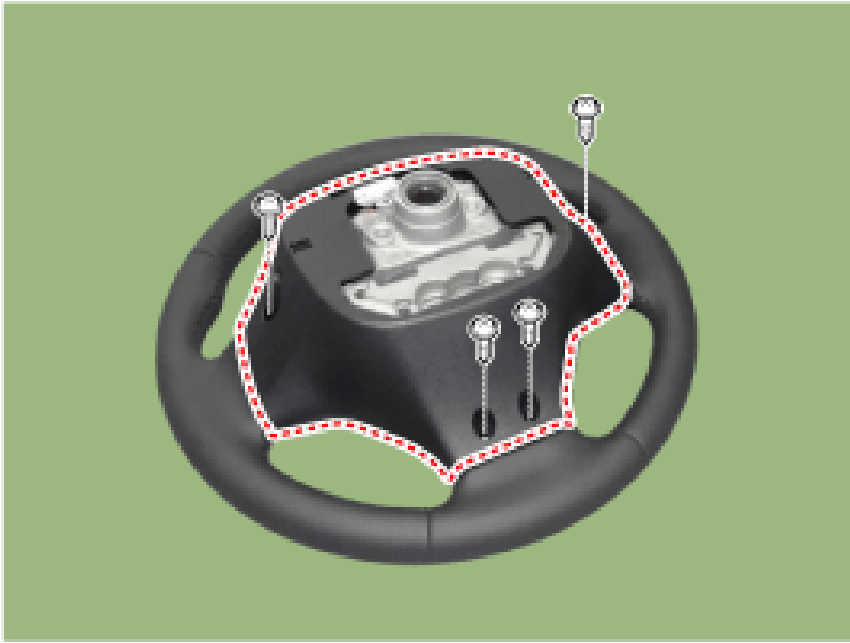
- Do not reuse the steering lock bolt.
- When assembling, match the gear teeth as the below illustration.



- Install in the reverse order of removal. Set the front tires straight-ahead before assembling the steering wheel. If the steering wheel and the front tires are not set straight ahead together, it may affect the number of circulation of steering wheel and damage the cable inside the clock spring.
- Set the front tires straight-ahead before assembling the steering wheel. If the steering wheel and the front tires are not set straight ahead together, it may affect the number of circulation of steering wheel and damage the cable inside the clock spring.

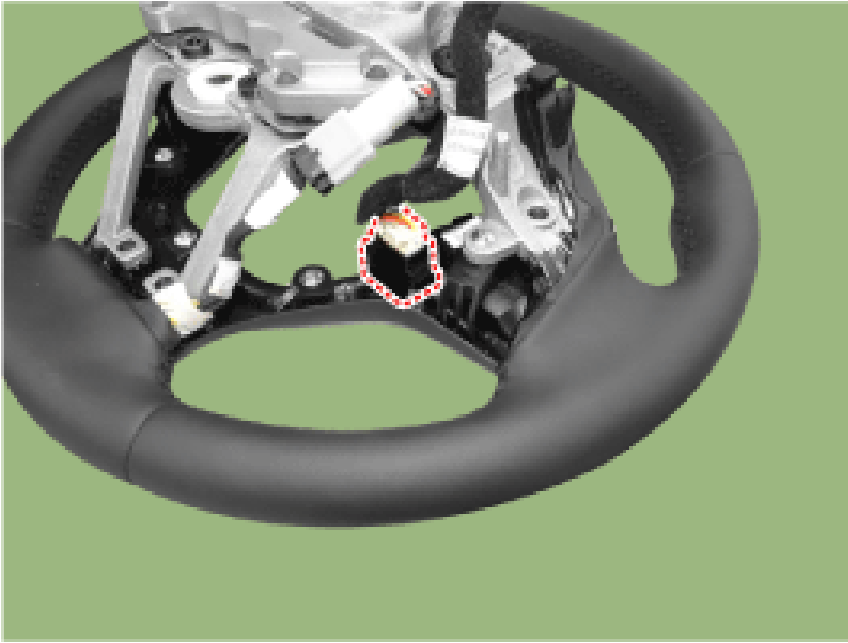
⚠ CAUTION

- Set the front tires straight-ahead before assembling the steering wheel.
- If the steering wheel and the front tires are not set straight ahead together, it may affect the number of circulation of steering wheel and damage the cable inside the clock spring.
- Replacement
- Loosen the screw and then remove the lower cover.



- Disconnect the remote control switch connector.

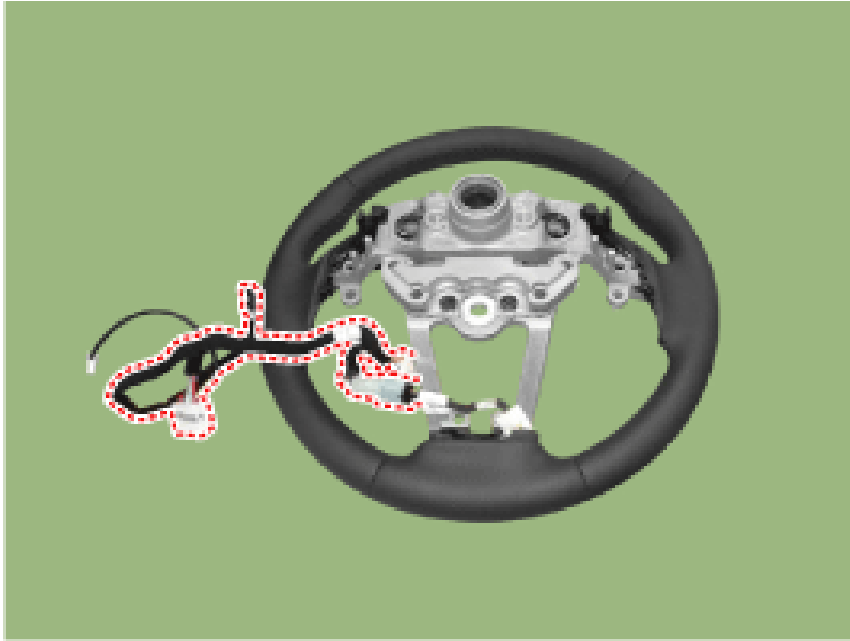




- Separate the remote control switch by loosening the screw.



- Disconnect the connector and then remove the wiring.



- To reassembly, reverse the disassembly procedure.

Heated Steering Wheel - Specifications (Article 44249)

- Specifications

Item Specification

Voltage 13.5 V

Heated pad resistance $1.7 \sim 0.2 \Omega \pm 0.2 \Omega$

NTC resistance $10.0 \text{ k}\Omega \pm 10\%$ (25°C)

All New Technical Service Bulletins (itype_432)

Tsbs

- SERVICE GUIDE FOR STEERING WHEEL INSPECTION AND REPLACEMENT (25-BD-008H, 2025/06/16)

All Technical Service Bulletins (itype_100)

Tsbs

- SERVICE GUIDE FOR STEERING WHEEL INSPECTION AND REPLACEMENT (25-BD-008H, 2025/06/16)