

Component Procedures: Lighting and Horns

Table of Contents

1. Parts and Labor (itype_189)
2. Adaptive Front-Lighting System (AFS) - Schematic Diagrams (Article 44679)
3. Auto Lighting Control System - Schematic Diagrams (Article 44659)
4. Stop Lamp Switch - Schematic Diagrams (Article 45161)
5. Auto Lights - Schematic Diagrams (Article 42591)
6. Back-Up Lamps - Schematic Diagrams (Article 42595)
7. Courtesy & Trunk Lamps - Schematic Diagrams (Article 42611)
8. Daytime Running Lights (DRL) - Schematic Diagrams (Article 42476)
9. Head Lamps - Schematic Diagrams (Article 42492)
10. Horn - Schematic Diagrams (Article 42496)
11. Illuminations - Schematic Diagrams (Article 42500)
12. Stop Lamps - Schematic Diagrams (Article 42569)
13. Tail, Parking & License Lamps - Schematic Diagrams (Article 42577)
14. Turn & Hazard Lamps - Schematic Diagrams (Article 42579)
15. Exterior Lights - Backup Lamps Circuit (Article 10263)
16. Exterior Lights - Exterior Lamps Circuit (Article 10322)
17. Interior Lights - Courtesy Lamps Circuit (Article 12070)
18. Interior Lights - Instrument Illumination Circuit (Article 12100)
19. Lighting System - Components and Components Location (Article 44648)
20. Lighting System - Specifications (Article 44641)
21. All New Technical Service Bulletins (itype_432)
22. All Technical Service Bulletins (itype_100)
23. Erratic Operation (itype_132)
24. Miscellaneous Information (itype_111)
25. OEM Policies and Procedures (itype_120)
26. Service Campaigns (itype_108)

Component Procedures: Lighting and Horns

Parts and Labor (itype_189)

Parts

Qualifier	Part #	Name	Price	Note
Bulbs > Exterior Bulbs	1864305009LV	Back-up Lamp	2.61	
Bulbs > Exterior Bulbs	1864318004N	Back-up Lamps	3.73	
Bulbs > Exterior Bulbs	1864305009LV	Front Side Marker	2.61	
Bulbs > Exterior Bulbs	1864421058L	Front Turn Signal Lamp	13.76	
Bulbs > Exterior Bulbs	1864221008L	High Mounted Stop Lamp	5.18	
Bulbs > Exterior Bulbs	1864505009N	License Plate Lamp	3.55	
Bulbs > Exterior Bulbs	1864227007L	Rear Stop/tail Lamp	5.00	
Bulbs > Exterior Bulbs	1864421058L	Rear Turn	13.76	
Bulbs > Fog Lamp Bulb		Part Of Fog Lamp Assem?	0.00	
Bulbs > Fog Lamp Bulb		Part Of Fog Lamp Assem?	0.00	
Bulbs > Headlamp Bulb	1864765009S	With Sport	26.74	
Bulbs > Headlamp Bulb > With?	1864765009S	Without Led	26.74	
Horn > Horn	96620F2600	High Pitch	139.95	
Horn > Horn	96610F2600	Low Pitch	123.58	
Headlamps > Composite Assemb?	92101F2840	With Sport	2174.15	
Headlamps > Composite Assemb?	92101F2740	Korea Built	2239.31	
Headlamps > Composite Assemb?	92101F2760	Us Built	2239.31	
Headlamps > Composite Assemb?	92101F2640	With Led Drl	894.84	
Headlamps > Composite Assemb?	92101F2540	Without Led Drl	714.32	
Headlamps > Composite Assemb?	92101F3510	With Led Drl	599.11	
Headlamps > Composite Assemb?	92101F3500	Without Led Drl	642.81	
Headlamps > Composite Assemb?	92102F2840	With Sport	2239.31	
Headlamps > Composite Assemb?	92102F2740	Korea Built	2239.31	
Headlamps > Composite Assemb?	92102F2760	Us Built	2106.58	
Headlamps > Composite Assemb?	92102F2640	With Led Drl	884.52	
Headlamps > Composite Assemb?	92102F2540	Without Led Drl	714.32	
Headlamps > Composite Assemb?	92102F3510	With Led Drl	884.52	
Headlamps > Composite Assemb?	92102F3500	Without Led Drl	714.32	
Switches	93810J3000	Stoplamp Switch	112.94	
Switches > Instrument Light ?	93700F2230TRY	With Lane Departure	221.37	Order By Vehicle Applicati?
Switches > Instrument Light ?	93700F2200PKG	Without Lane Departure	221.37	Order By Vehicle Applicati?

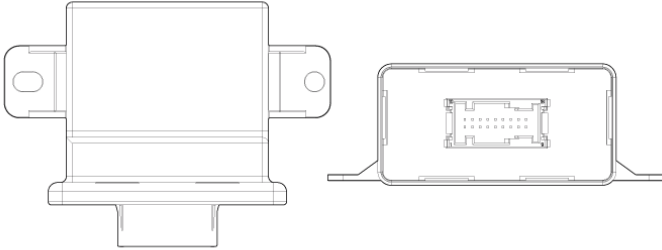
Labor

Operation	Qualifier Path	Skill	Std Hrs	Wty Hrs
Remove & Replace	Bulbs > Dome Lamp Bulb, R&R	B	0.3	0.0
Remove & Replace	Bulbs > Exterior Bulbs, R&R > Back-Up Lamp > ?	C	0.4	0.0
Remove & Replace	Bulbs > Exterior Bulbs, R&R > Front Turn Sign?	C	0.4	0.0
Remove & Replace	Bulbs > Exterior Bulbs, R&R > License Lamp	C	0.3	0.0
Remove & Replace	Bulbs > Exterior Bulbs, R&R > Rear Combinatio?	C	0.5	0.0
Remove & Replace	Bulbs > Exterior Bulbs, R&R > Side Marker > O?	C	0.4	0.0
Remove & Replace	Bulbs > Headlamp Bulb, R&R > One Side	B	0.3	0.0
Remove & Replace	Bulbs > Headlamp Bulb, R&R > Both Sides	B	0.5	0.0
Remove & Replace	Bulbs > High Mount Stoplamp Bulb, R&R	B	1.1	0.0
Remove & Replace	Fog Lamps > Fog Lamp Assembly, R&R > One Side	B	0.7	0.0
Remove & Replace	Headlamps > Control Module, R&R > Afls Unit	B	0.5	0.0
Remove & Replace	Headlamps > Control Module, R&R > Ballast > O?	B	1.5	0.0
Remove & Replace	Headlamps > Control Module, R&R > Ballast > B?	B	1.8	0.0
Remove & Replace	Headlamps > Headlamp, R&R > One Side	B	1.7	0.0
Remove & Replace	Headlamps > Headlamp, R&R > Both Sides	B	2.0	0.0
Remove & Replace	Horn > Horn, R&R > One	B	1.5	0.0
Remove & Replace	Horn > Horn, R&R > Both	B	1.6	0.0
Remove & Replace	Switches > Door Jamb Switch, R&R	B	0.3	0.0
Remove & Replace	Switches > Hazard Switch, R&R	B	0.5	0.0

Remove & Replace	Switches > Instrument Light Rheostat, R&R	B	0.5	0.0
Remove & Replace	Switches > Stoplamp Switch, R&R	B	0.6	0.0
Align	Headlamps > Headlamp, Align	B	0.4	0.0

Adaptive Front-Lighting System (AFS) - Schematic Diagrams (Article 44679)

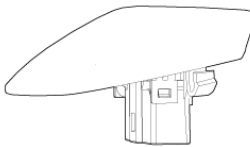
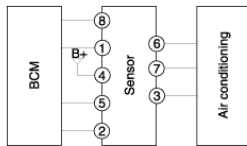
- Circuit Diagram



Connector A	No	Description	No	Description
	1	-	10	-
	2	-	11	CAN Low
	3	Lin BUS	12	-
	4	-	13	-
	5	-	14	-
	6	-	15	-
	7	-	16	-
	8	-	17	IGN (ECU Power)
	9	CAN High	18	GND

Auto Lighting Control System - Schematic Diagrams (Article 44659)

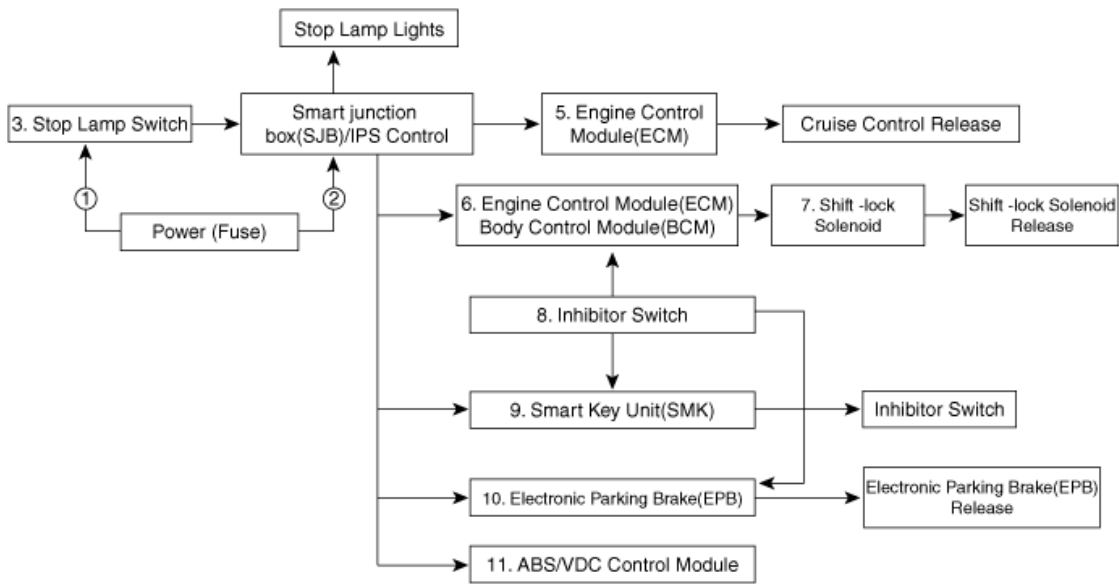
- Circuit Diagram



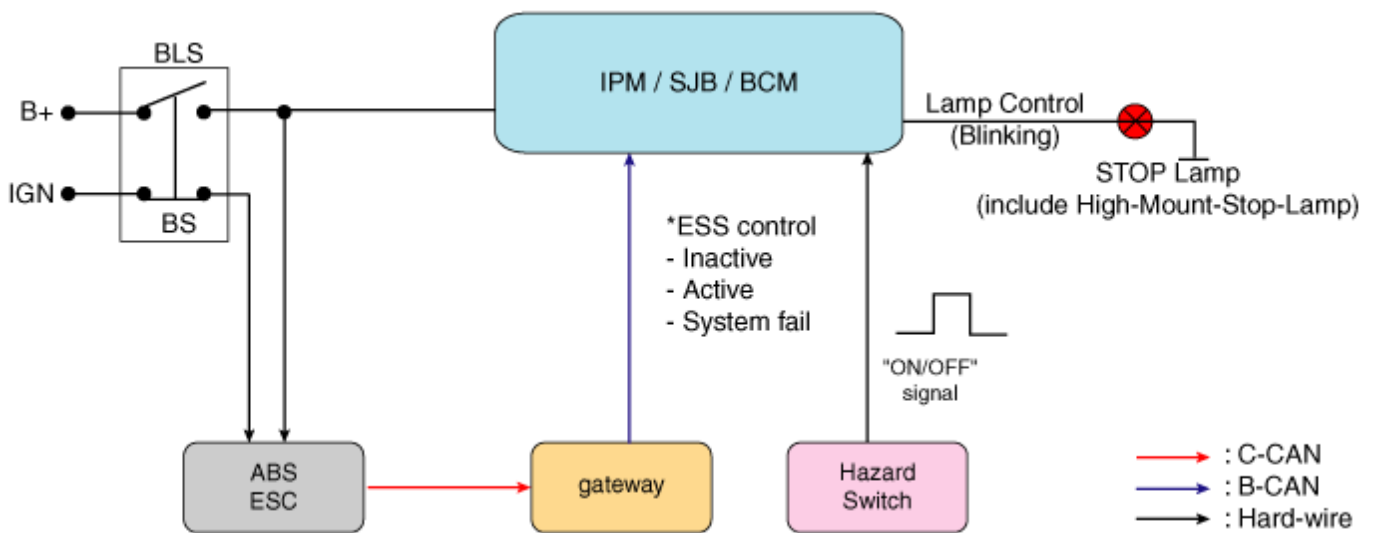
Auto light sensor connector	No	Description
	1	Auto light signal
	2	Auto light GND
	3	Photo signal (RH)
	4	LED Power (B+)
	5	LED GND (To BCM)
	6	Photo signal (LH)
	7	Photo power (SW)
	8	Auto light power (5V)

Stop Lamp Switch - Schematic Diagrams (Article 45161)

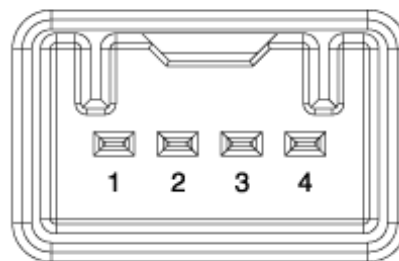
- Schematic Diagram



- System circuit diagram



- Terminal function

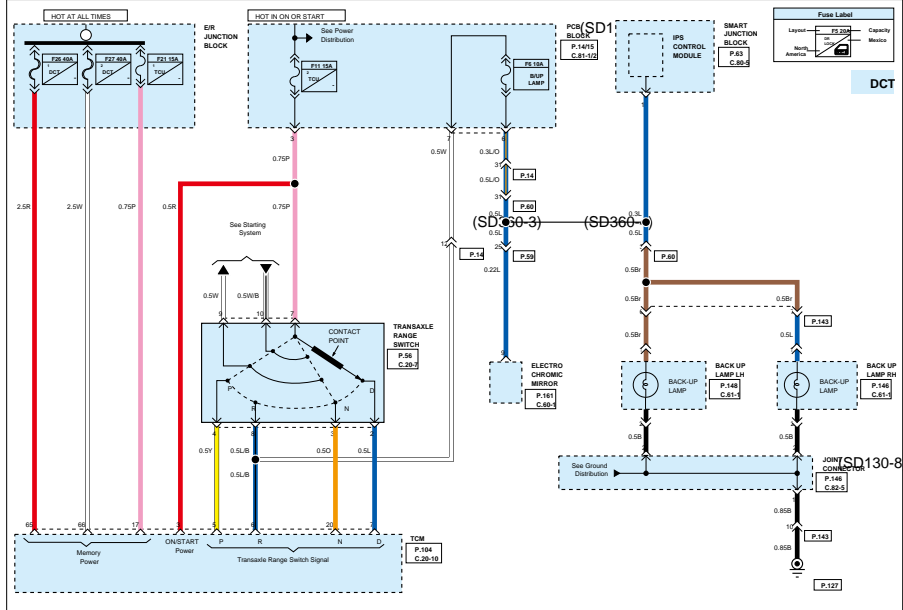


Terminal Description

- 1 IGN1
- 2 Engine Control Module (ECM)
- 3 B+
- 4 Stop Lmap

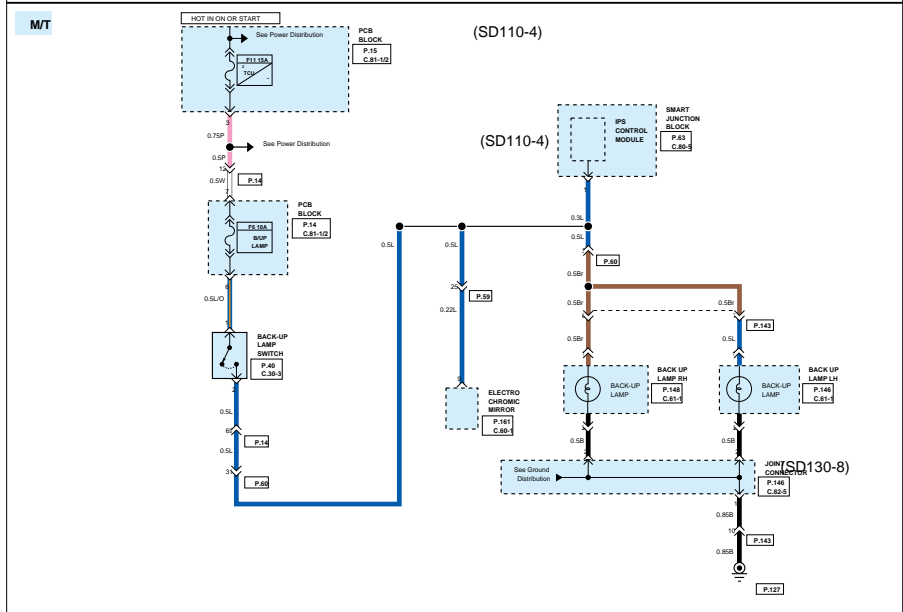
Back-Up Lamps (2)

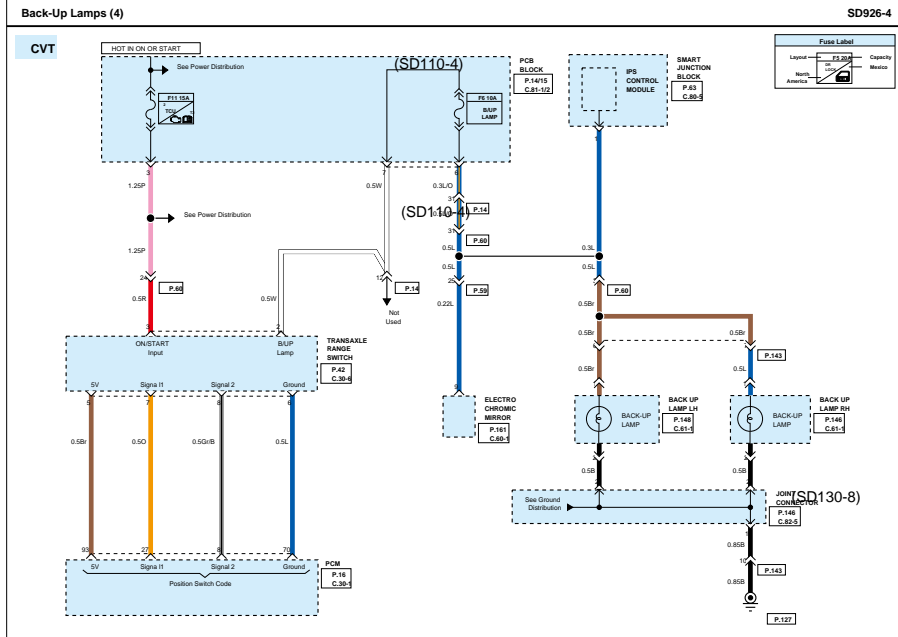
SD926-2



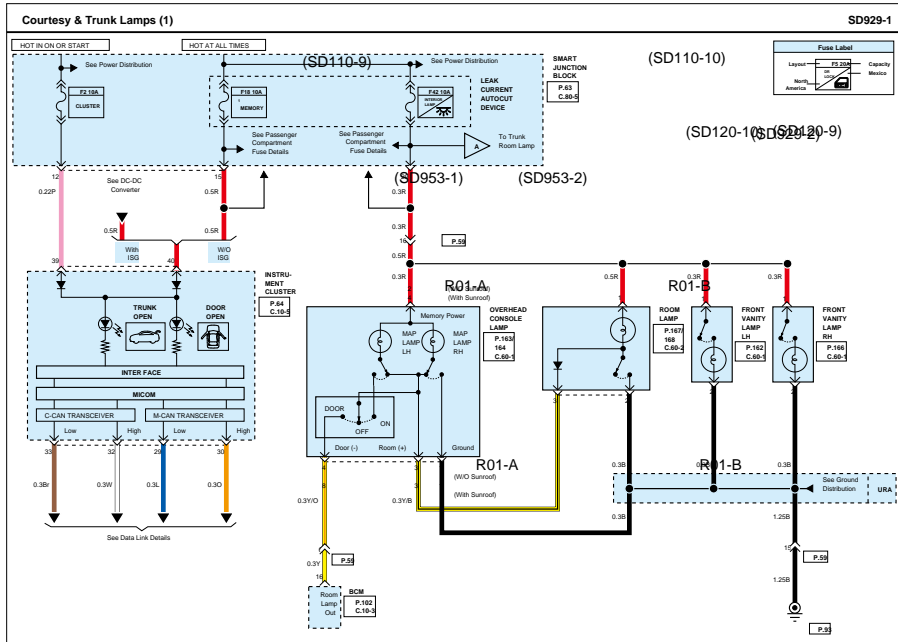
Back-Up Lamps (3)

SD926-3

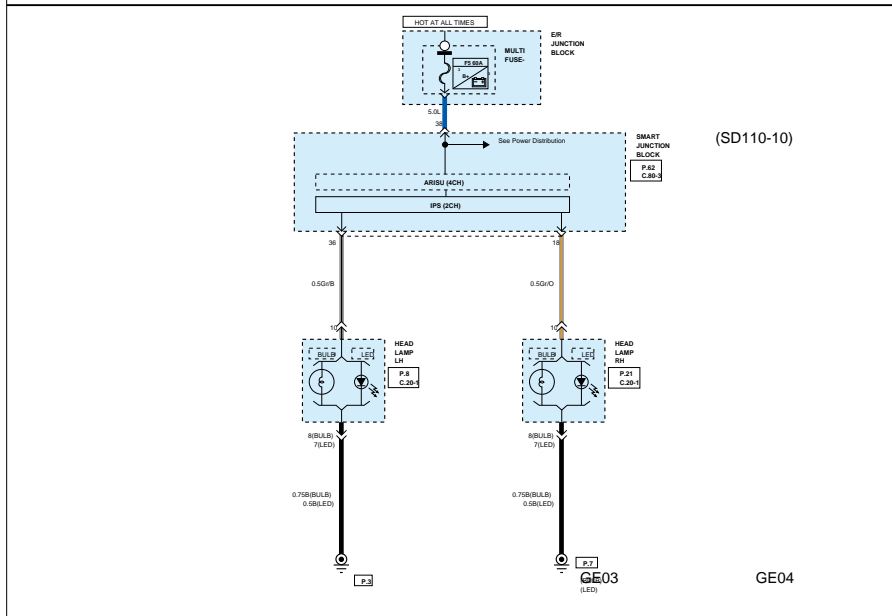




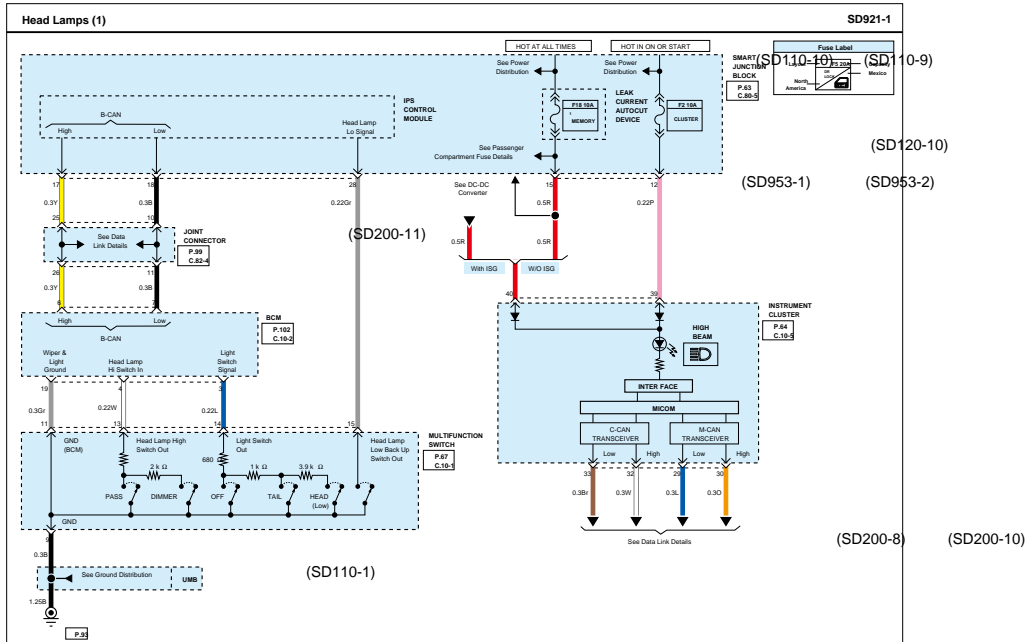
Courtesy & Trunk Lamps - Schematic Diagrams (Article 42611)

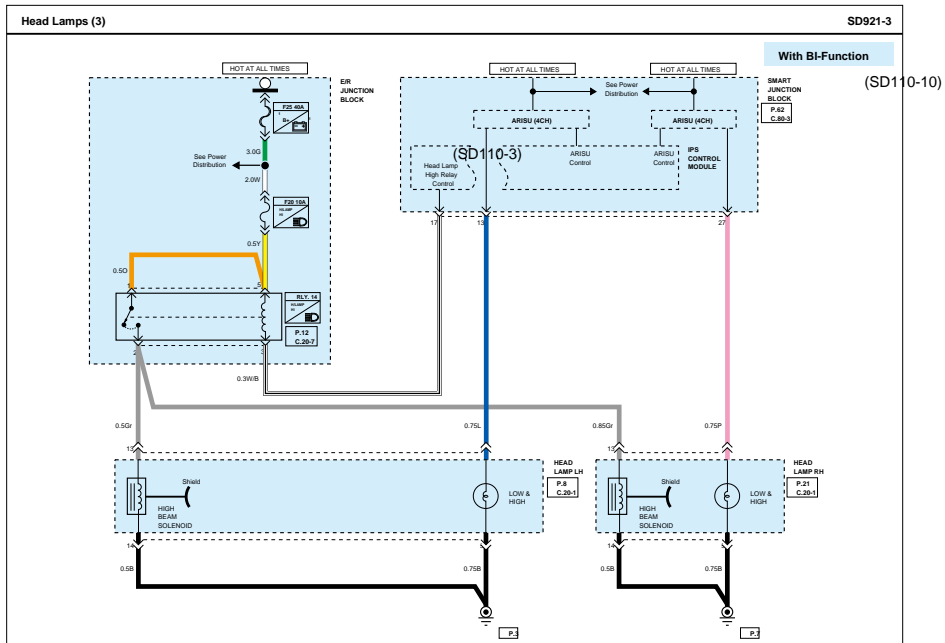
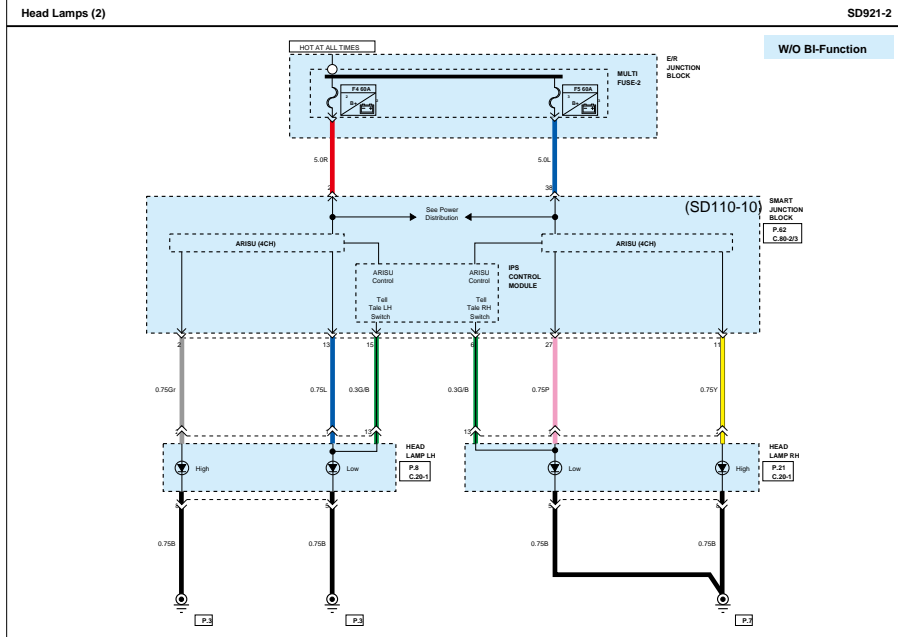


(SD130-2)

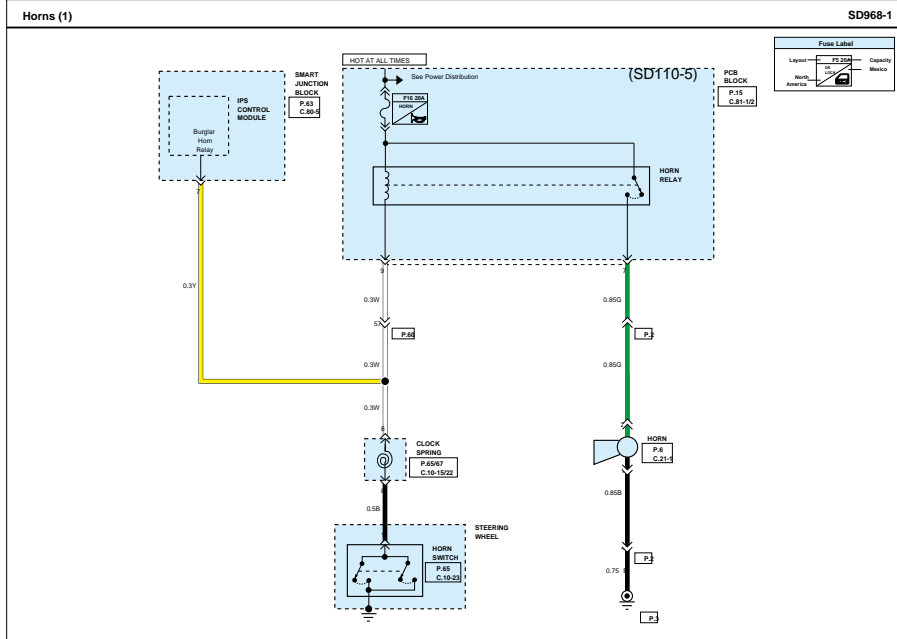


Head Lamps - Schematic Diagrams (Article 42492)

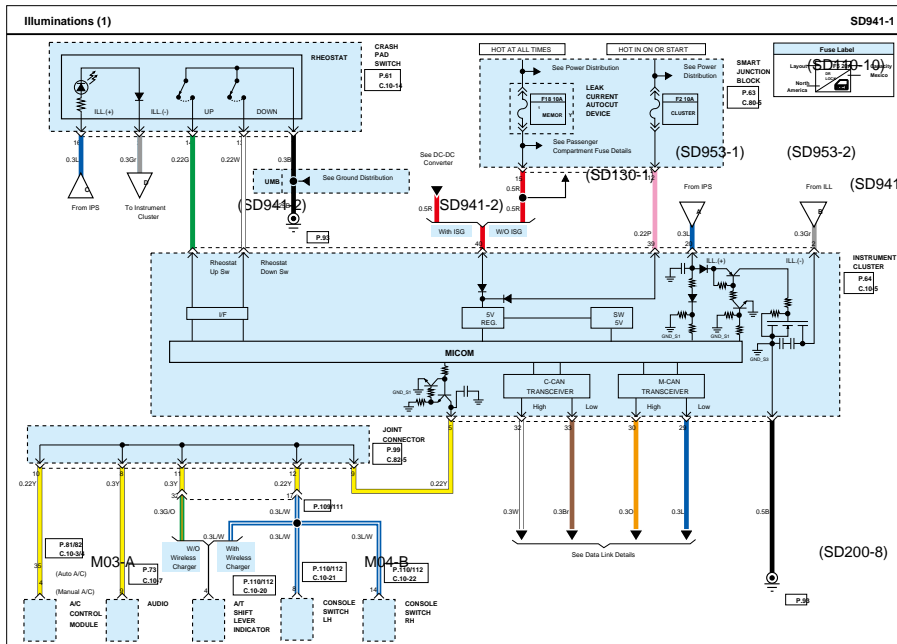




Horn - Schematic Diagrams (Article 42496)



Illuminations - Schematic Diagrams (Article 42500)

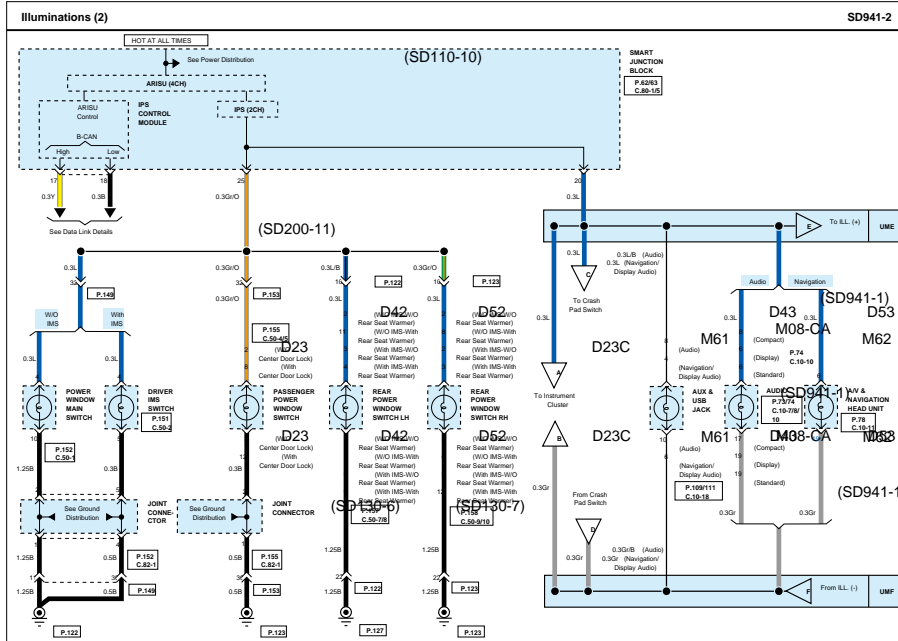


(SD100-9)

(SD120-10)

(SD941-2)

(SD200-10)



(SD941-3)

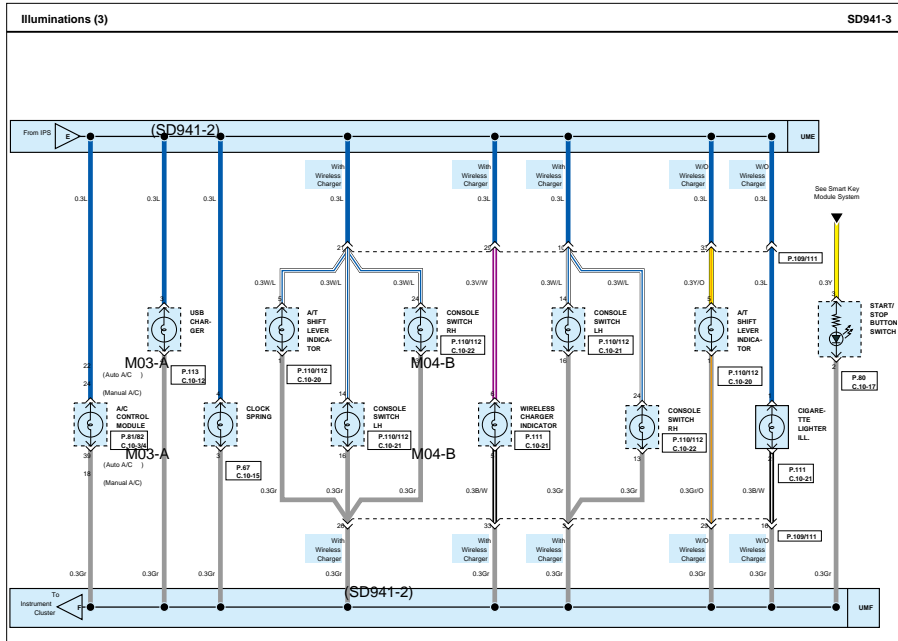
M08-DB

M08-DB

(SD941-3)

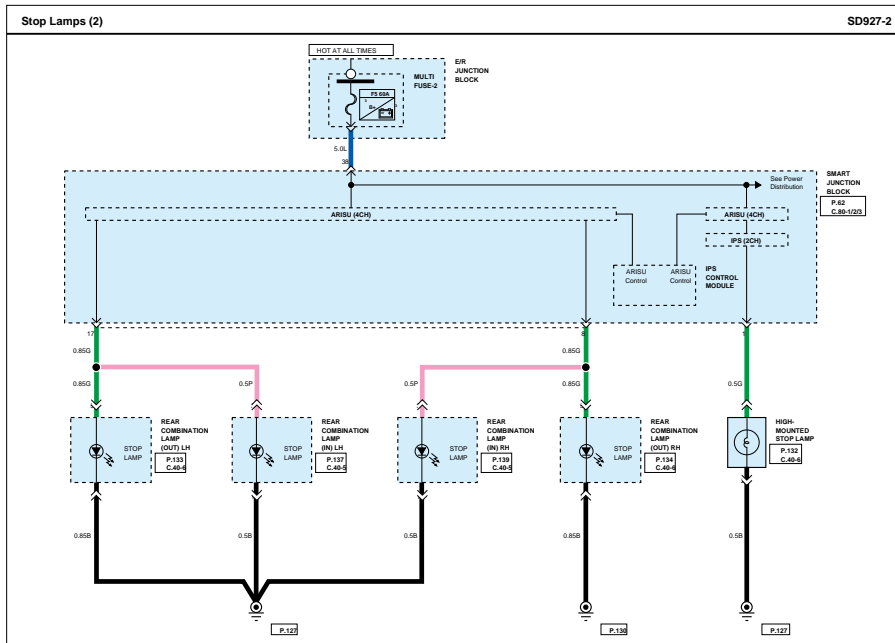
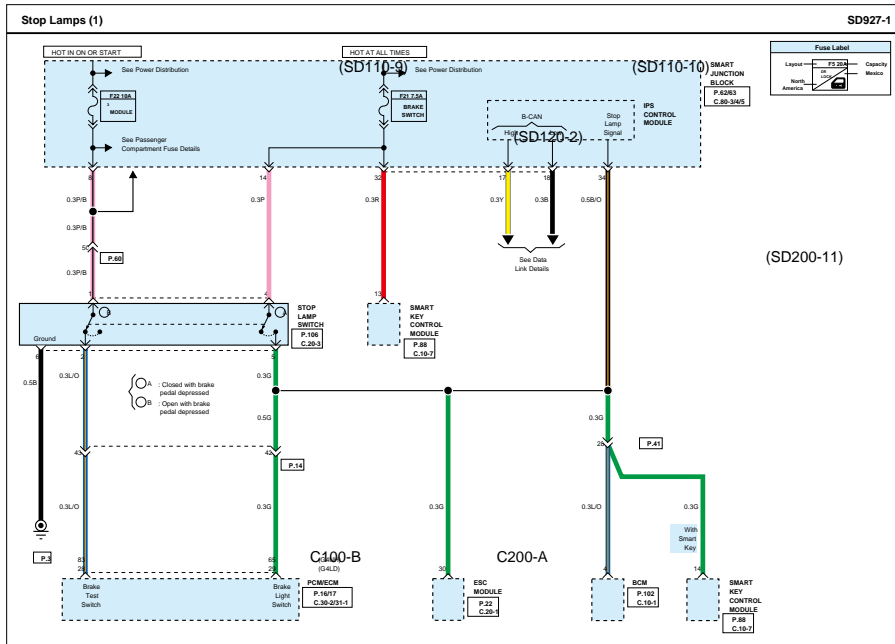
D44 M08-SB D54

D44M08-SB D54

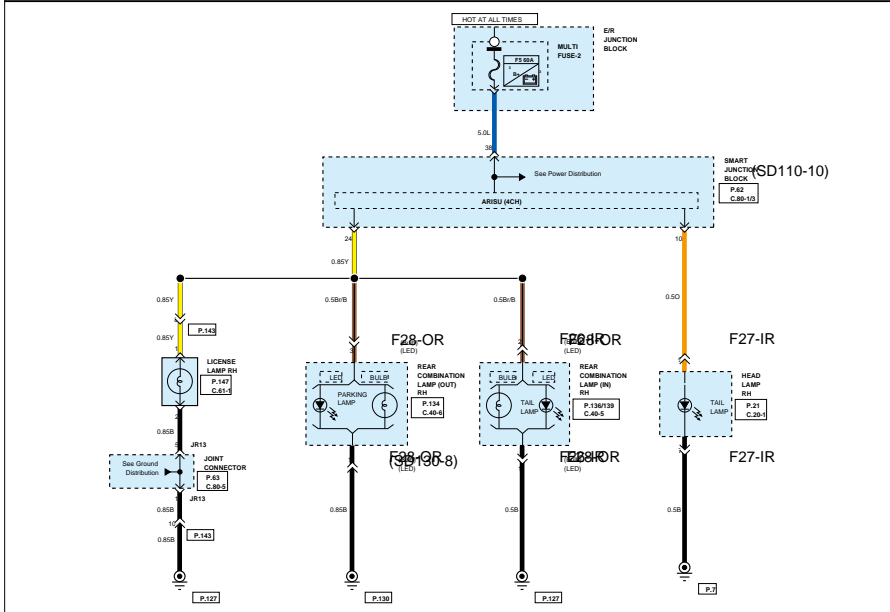


(SD954-3)

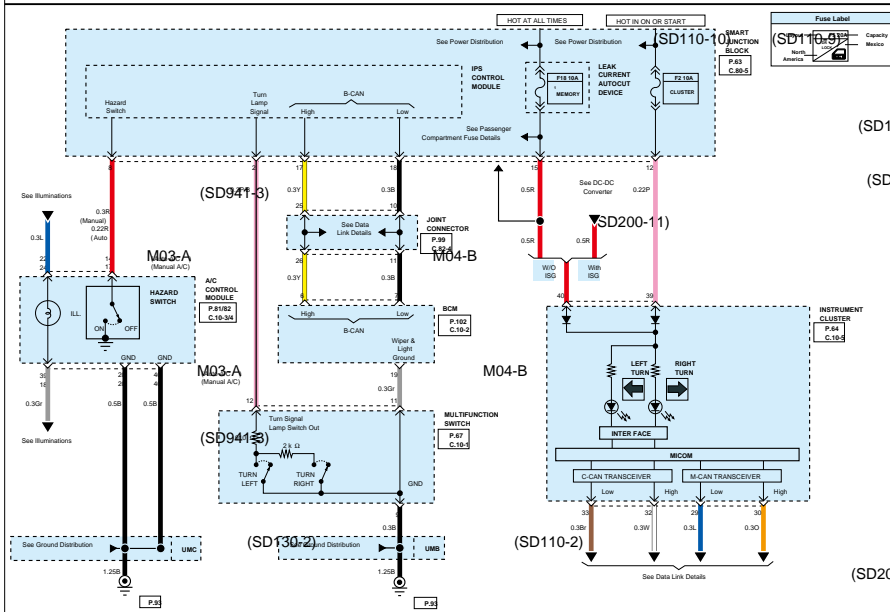
Stop Lamps - Schematic Diagrams (Article 42569)



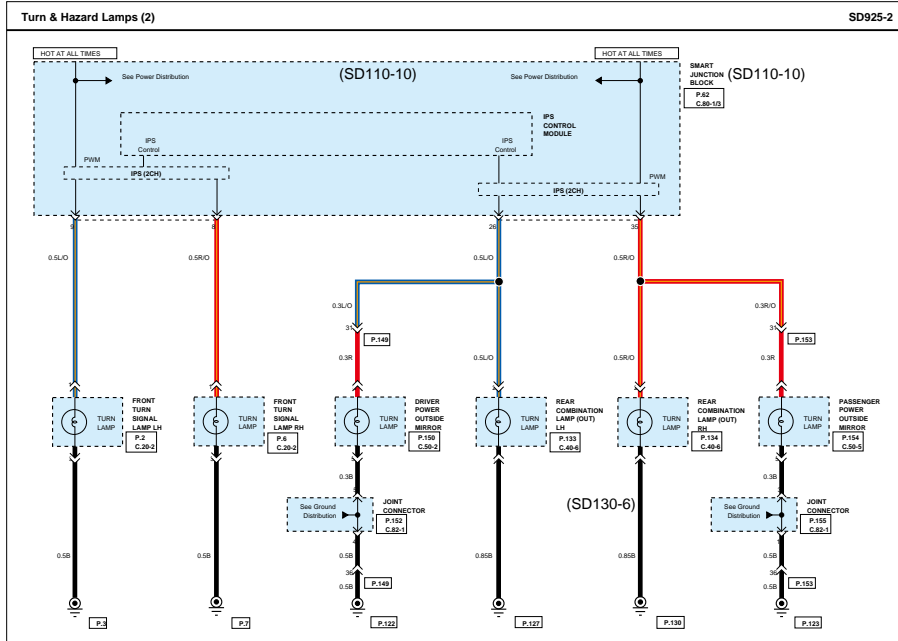
Tail, Parking & License Lamps - Schematic Diagrams (Article 42577)



Turn & Hazard Lamps - Schematic Diagrams (Article 42579)



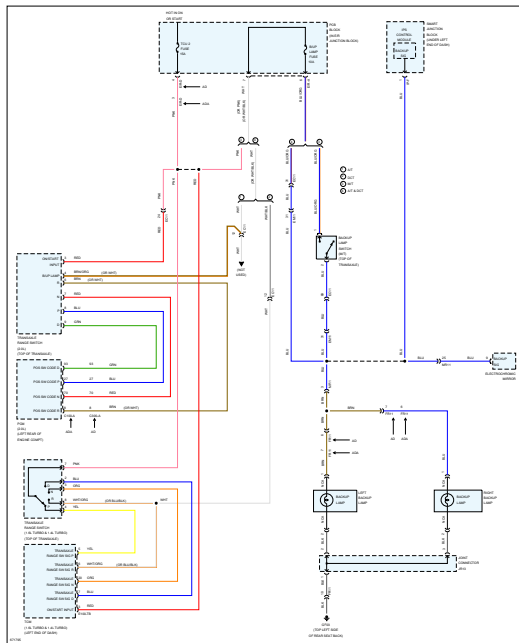
(SD120-10)
 (SD953-1) (SD953-2)
 (SD200-8) (SD200-10)



Exterior Lights - Backup Lamps Circuit (Article 10263)

Exterior Lights - Backup Lamps Circuit

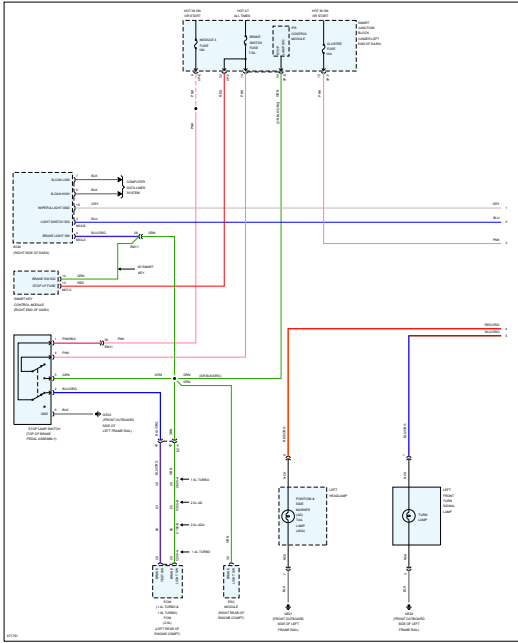
Page 1 of 1



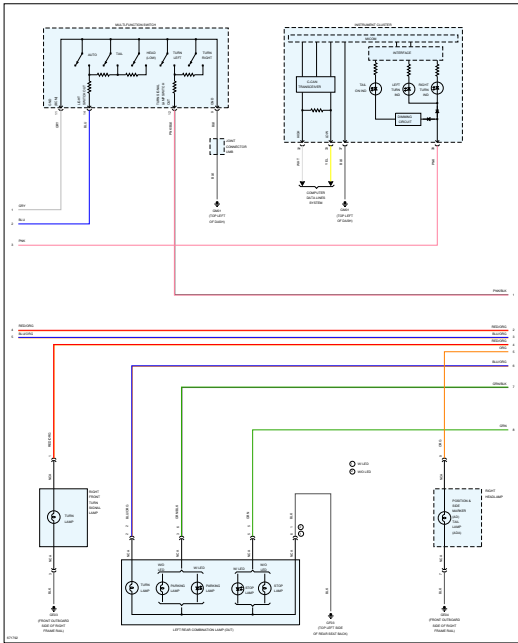
Exterior Lights - Exterior Lamps Circuit (Article 10322)

Exterior Lights - Exterior Lamps Circuit

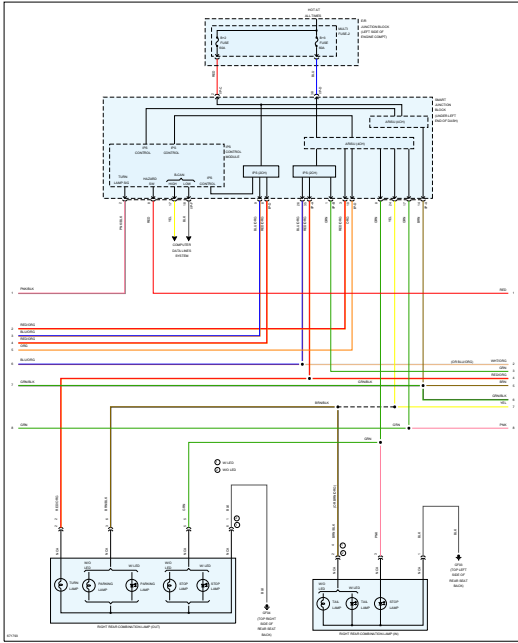
Page 1 of 4



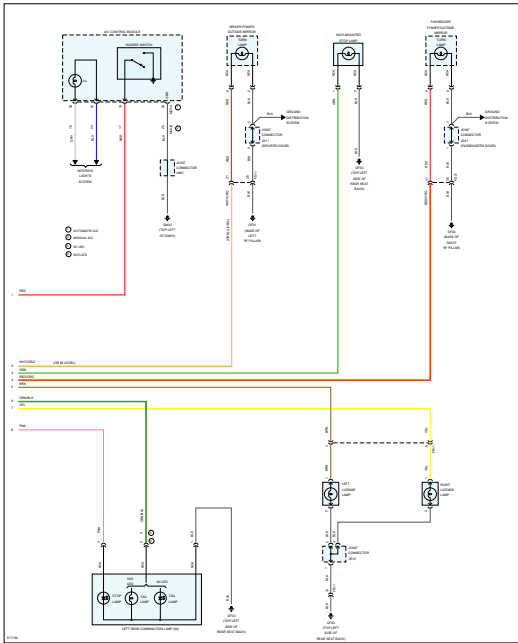
Page 2 of 4



Page 3 of 4



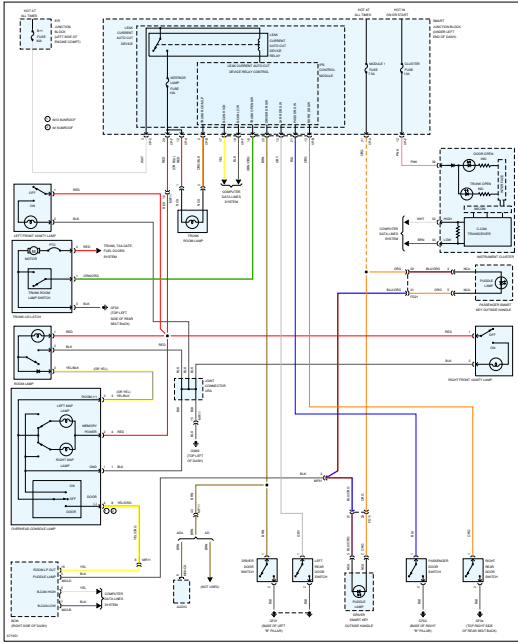
Page 4 of 4



Interior Lights - Courtesy Lamps Circuit (Article 12070)

Interior Lights - Courtesy Lamps Circuit

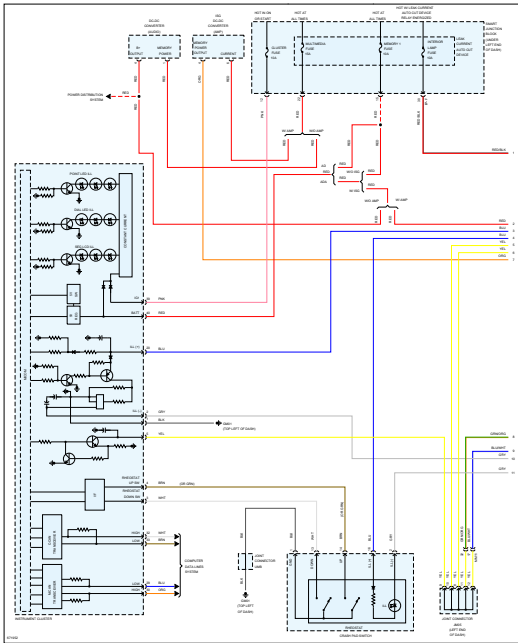
Page 1 of 1



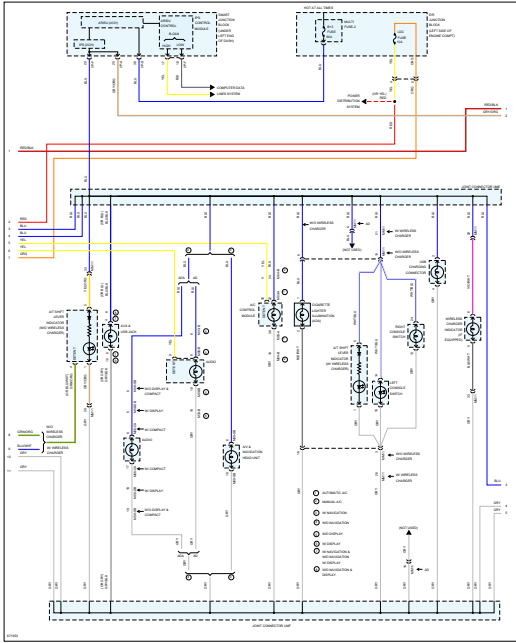
Interior Lights - Instrument Illumination Circuit (Article 12100)

Interior Lights - Instrument Illumination Circuit

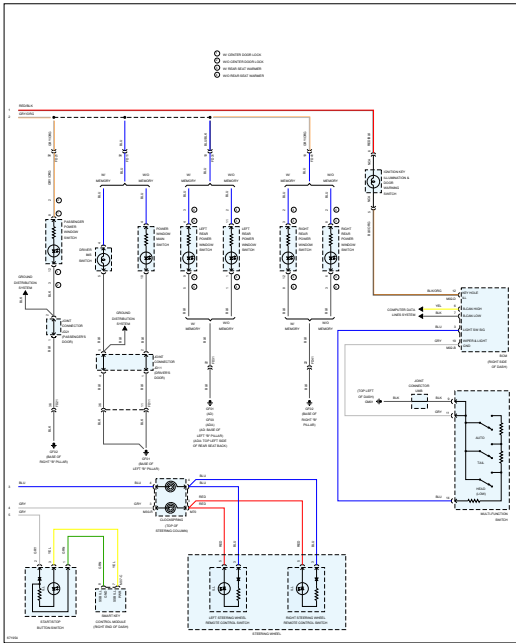
Page 1 of 3



Page 2 of 3

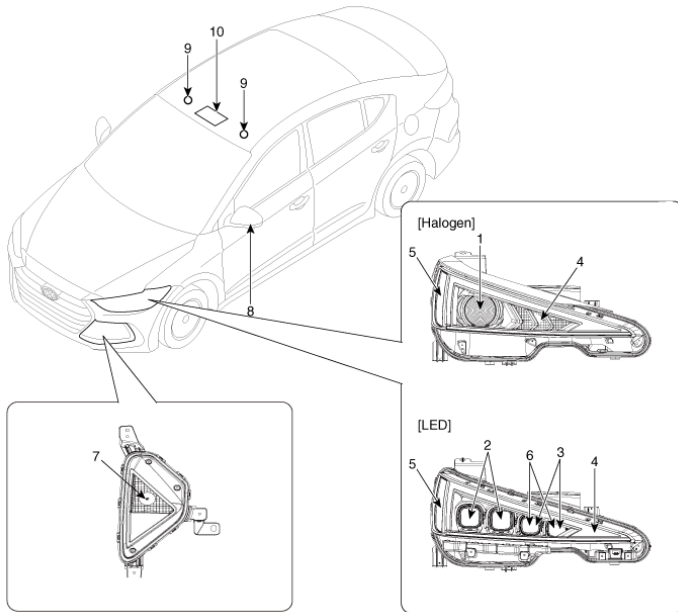


Page 3 of 3

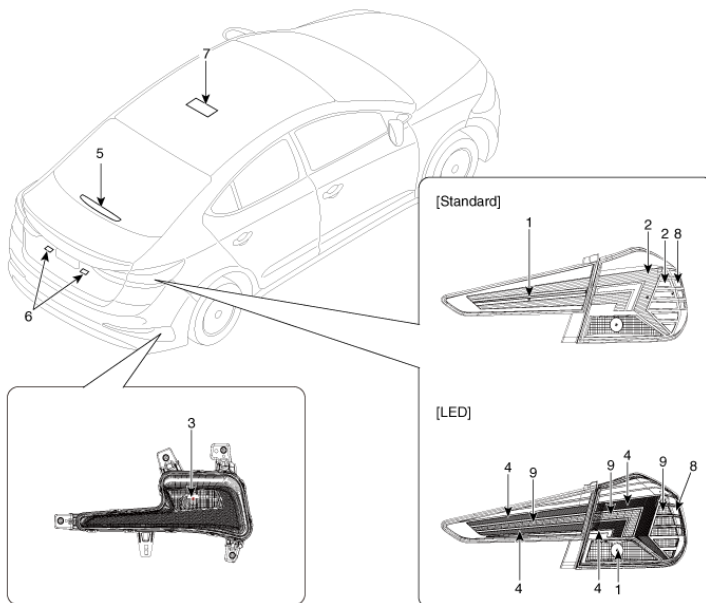


Lighting System - Components and Components Location (Article 44648)

- Component Location



1. High/Low beam 2. Low beam 3. High beam 4. Position lamp & DRL 5. Side marker 6. Sub low beam 7. Front turn signal lamp 8. Vanity lamp 9. Map lamp 10. Side marker



1. Tail lamp 2. Tail/ Stop lamp 3. Back up lamp 4. Turn signal lamp 5. High mounted stop lamp 6. License lamp 7. Room lamp 8. Side marker 9. Stop lamp

Lighting System - Specifications (Article 44641)

- Specification

Item Type Bulb Watt (W)

Front Head lamp Halogen 1 Low beam / High beam 9005HL+ 60

DRL / Position lamp 21W/5W 21/5

Side marker W5W 5

Halogen 2 Low beam / High beam 9005HL+ 60

Turn signal lamp LED LED

Side marker LED LED

LED Low beam LED LED

Sub low beam LED LED

High beam LED LED

(DRL) & Position lamp LED LED

Side marker LED -
Turn signal lamp PY28/8W 28/8
Door mirror turn signal lamp LED LED
Rear Rear combination Halogen Tail lamp W5W 5
Turn signal lamp PY21W 21
Tail / Stop lamp PY21/5W 21
LED Stop / Tail lamp LED LED
Side Marker LED LED
Back up lamp PY21W 21
License plate lamp W5W 5
Interior Map lamp W10 10
Room lamp FESTOON 8
Luggage lamp FESTOON 5
Vanity lamp FESTOON 5

All New Technical Service Bulletins (itype_432)

Tsbs
- INFORMATION FOR LAMP CONDENSATION (25-BD-012H, 2025/11/05)

All Technical Service Bulletins (itype_100)

Tsbs
- HEADLAMP REPLACEMENT AND AIMING ADJUSTMENT (20-BE-004H, 2020/03/25)
- HEAD LAMP HIGH BEAM REPAIR (SERVICE CAMPAIGN T5G) (23-01-094H, 2023/12/14)
- INFORMATION FOR LAMP CONDENSATION (25-BD-012H, 2025/11/05)
- ANTIGLARE HEADLIGHT PATTERN (18-BE-003-1, 2018/12/13)
- HEADLAMP REPLACEMENT AND AIMING ADJUSTMENT (SERVICE CAMPAIGN T3J) (20-01-011H, 2020/03/05)

Erratic Operation (itype_132)

Tsbs
- HEADLAMP REPLACEMENT AND AIMING ADJUSTMENT (SERVICE CAMPAIGN T3J) (20-01-011H, 2020/03/05)

Miscellaneous Information (itype_111)

Tsbs
- ANTIGLARE HEADLIGHT PATTERN (18-BE-003-1, 2018/12/13)

OEM Policies and Procedures (itype_120)

Tsbs
- HEADLAMP REPLACEMENT AND AIMING ADJUSTMENT (20-BE-004H, 2020/03/25)

Service Campaigns (itype_108)

Tsbs
- HEAD LAMP HIGH BEAM REPAIR (SERVICE CAMPAIGN T5G) (23-01-094H, 2023/12/14)
- HEADLAMP REPLACEMENT AND AIMING ADJUSTMENT (SERVICE CAMPAIGN T3J) (20-01-011H, 2020/03/05)