

Component Procedures: Speaker

Table of Contents

1. Parts and Labor (itype_189)
2. Speaker - Repair Procedures (AVN System) (Article 44762)
3. Speakers - Repair Procedures (Audio) (Article 44738)

Component Procedures: Speaker

Parts and Labor (itype_189)

Labor

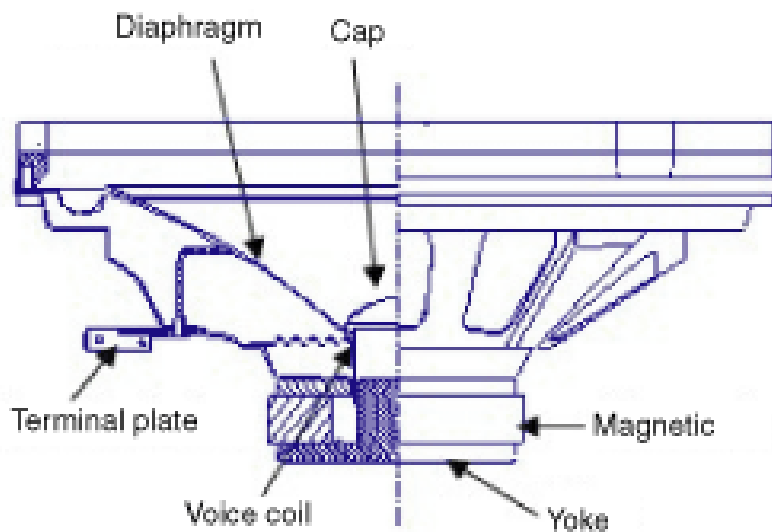
Operation	Qualifier Path	Skill	Std Hrs	Wty Hrs
Remove & Replace	Antenna & Radio > Speaker, R&R > Center Speak?	B	0.3	0.0
Remove & Replace	Antenna & Radio > Speaker, R&R > Front Speake?	B	0.7	0.0
Remove & Replace	Antenna & Radio > Speaker, R&R > Front Speake?	B	1.2	0.0
Remove & Replace	Antenna & Radio > Speaker, R&R > Rear Door Sp?	B	0.7	0.0
Remove & Replace	Antenna & Radio > Speaker, R&R > Rear Door Sp?	B	1.2	0.0
Remove & Replace	Antenna & Radio > Speaker, R&R > Sub Woofer	B	1.3	0.0
Remove & Replace	Antenna & Radio > Speaker, R&R > Tweeter Spea?	B	0.7	0.0
Remove & Replace	Antenna & Radio > Speaker, R&R > Tweeter Spea?	B	1.2	0.0

Speaker - Repair Procedures (AVN System) (Article 44762)

- Inspection

- Troubleshooting for Speaker Basic inspection of speaker Inspect the sound from speaker after verifying that the speaker mounting screws is removed and the wiring connector is connected precisely to remove vibration transmitted from body trims and surrounding parts. Case Troubleshooting No Case Inspection/Remedy 1 Trembling sound Before replacing the speaker, inspect that the mounting screw is installed normally. After re-installing the speaker, verify that no trembling sound is heard. When hearing a trembling sound again, replace the speaker with new one. 2 Noise Check if the wiring connector is connected normally. If not, reconnect the wiring connector. In case of radio static, check if there is a noise from CD player. When a noise is heard on turning radio and CD on, replace the speaker with new one. In case there is only radio static, this causes from poor radio reception. Thus the speaker needs no repair and replacement. 3 Poor working Inspection of the wiring connection between the battery and the speaker Before replacing the speaker, inspect the wiring and connections in the speaker circuit. Check the supplying power to the speaker and the resistance, and then inspect the sound quality. If the speaker works poorly, replace it with new one. During dealing of speaker Dropping or rough handling of the speaker can cause damage. Be careful not to cover water and oil over the speaker. Caution during dealing of speaker because the material of diaphragm is paper which is easy to be torn by impact and external force. When modifying audio system as customer pleases, this does electric damage to speaker. And, in this case the speakers are not covered by the manufacturer's warranty.

- Basic inspection of speaker Inspect the sound from speaker after verifying that the speaker mounting screws is removed and the wiring connector is connected precisely to remove vibration transmitted from body trims and surrounding parts.



- Case Troubleshooting No Case Inspection/Remedy 1 Trembling sound Before replacing the speaker, inspect that the mounting screw is installed normally. After re-installing the speaker, verify that no trembling sound is

heard. When hearing a trembling sound again, replace the speaker with new one. 2 Noise Check if the wiring connector is connected normally. If not, reconnect the wiring connector. In case of radio static, check if there is a noise from CD player. When a noise is heard on turning radio and CD on, replace the speaker with new one. In case there is only radio static, this causes from poor radio reception. Thus the speaker needs no repair and replacement. 3 Poor working Inspection of the wiring connection between the battery and the speaker Before replacing the speaker, inspect the wiring and connections in the speaker circuit. Check the supplying power to the speaker and the resistance, and then inspect the sound quality. If the speaker works poorly, replace it with new one. During dealing of speaker Dropping or rough handling of the speaker can cause damage. Be careful not to cover water and oil over the speaker. Caution during dealing of speaker because the material of diaphragm is paper which is easy to be torn by impact and external force. When modifying audio system as customer pleases, this does electric damage to speaker. And, in this case the speakers are not covered by the manufacturer's warranty.

No Case Inspection/Remedy


1 Trembling sound Before replacing the speaker, inspect that the mounting screw is installed normally. After re-installing the speaker, verify that no trembling sound is heard. When hearing a trembling sound again, replace the speaker with new one.

- Before replacing the speaker, inspect that the mounting screw is installed normally.
- After re-installing the speaker, verify that no trembling sound is heard.
- When hearing a trembling sound again, replace the speaker with new one.

2 Noise Check if the wiring connector is connected normally. If not, reconnect the wiring connector. In case of radio static, check if there is a noise from CD player. When a noise is heard on turning radio and CD on, replace the speaker with new one. In case there is only radio static, this causes from poor radio reception. Thus the speaker needs no repair and replacement.

- Check if the wiring connector is connected normally. If not, reconnect the wiring connector.
- In case of radio static, check if there is a noise from CD player.
- When a noise is heard on turning radio and CD on, replace the speaker with new one.

In case there is only radio static, this causes from poor radio reception. Thus the speaker needs no repair and replacement.

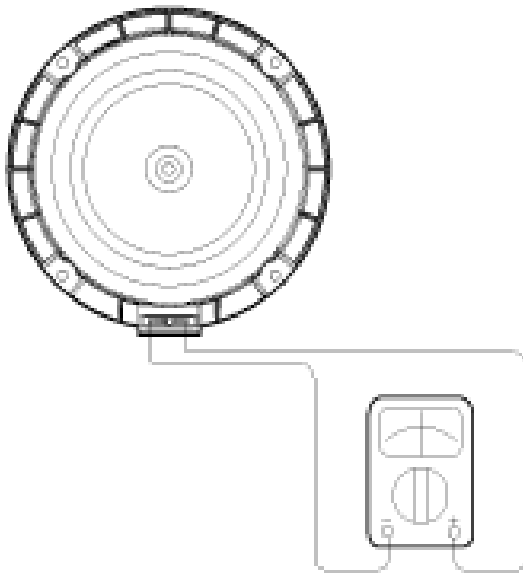


NOTICE

- In case there is only radio static, this causes from poor radio reception. Thus the speaker needs no repair and replacement.

3 Poor working Inspection of the wiring connection between the battery and the speaker Before replacing the speaker, inspect the wiring and connections in the speaker circuit. Check the supplying power to the speaker and the resistance, and then inspect the sound quality. If the speaker works poorly, replace it with new one.

- Before replacing the speaker, inspect the wiring and connections in the speaker circuit.
- Check the supplying power to the speaker and the resistance, and then inspect the sound quality.

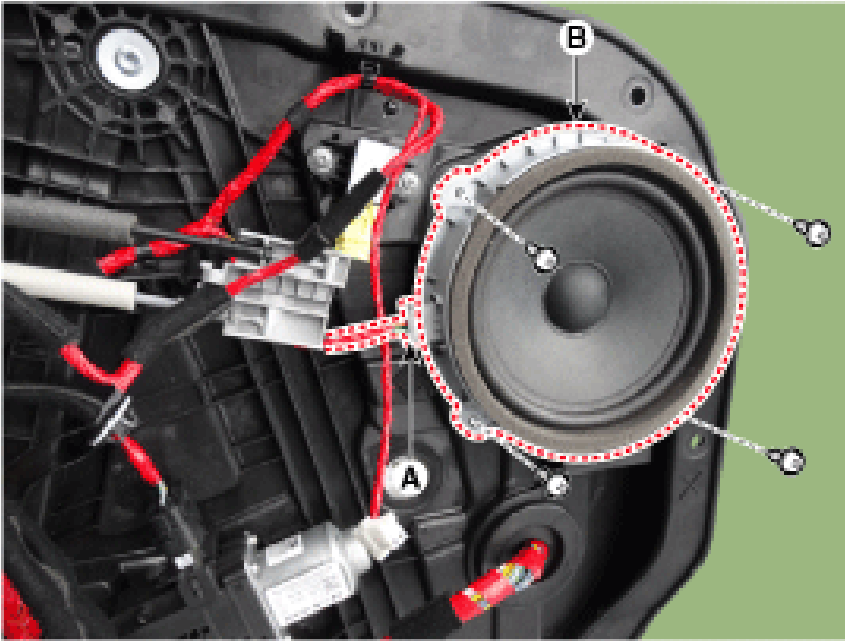


- If the speaker works poorly, replace it with new one.

During dealing of speaker Dropping or rough handling of the speaker can cause damage. Be careful not to cover water and oil over the speaker. Caution during dealing of speaker because the material of diaphragm is paper which is easy to be torn by impact and external force. When modifying audio system as customer pleases, this does electric damage to speaker. And, in this case the speakers are not covered by the manufacturer's warranty.



- During dealing of speaker
 - Dropping or rough handling of the speaker can cause damage.
 - Be careful not to cover water and oil over the speaker.
 - Caution during dealing of speaker because the material of diaphragm is paper which is easy to be torn by impact and external force.
 - When modifying audio system as customer pleases, this does electric damage to speaker.
 - And, in this case the speakers are not covered by the manufacturer's warranty.
 - Removal
- [Front Door Speaker s]
- Disconnect the negative (-) battery terminal.
 - Remove the front door trim.
 - Remove the front door speaker (B) after disconnecting the connector (A) and loosening the screws.



[Front Door Tweeter Speaker]

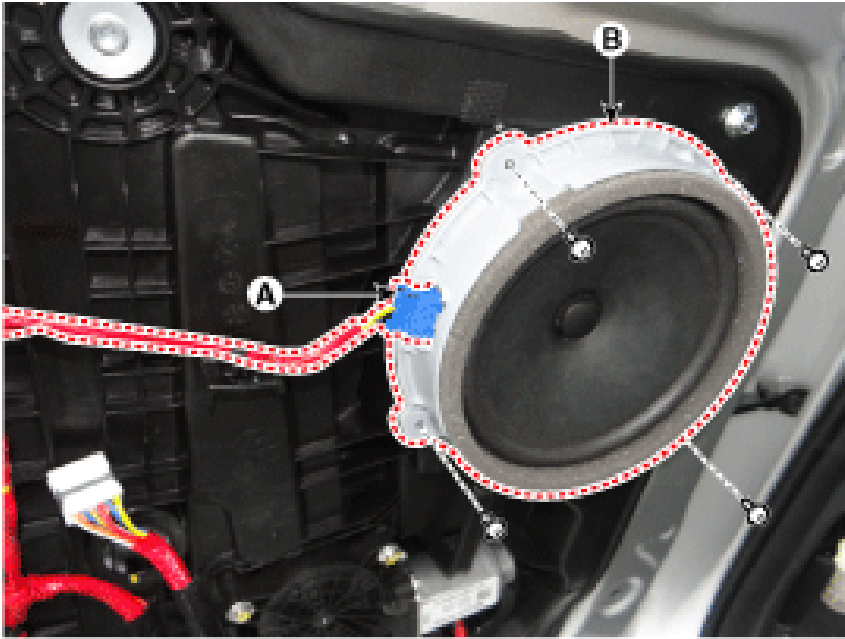
- Remove the tweeter speaker (A) after loosening the screws.



[Rear Door Speakers]

- Remove the Rear door trim.

- Remove the rear door speaker (B) after disconnecting the connector (A) and loosening the screws.



[Crash Pad Center Speaker]

Take care not to scratch the crash pad and related parts.

- Take care not to scratch the crash pad and related parts.

- Using a screwdriver or remover, remove the crash pad center speaker grille (A).

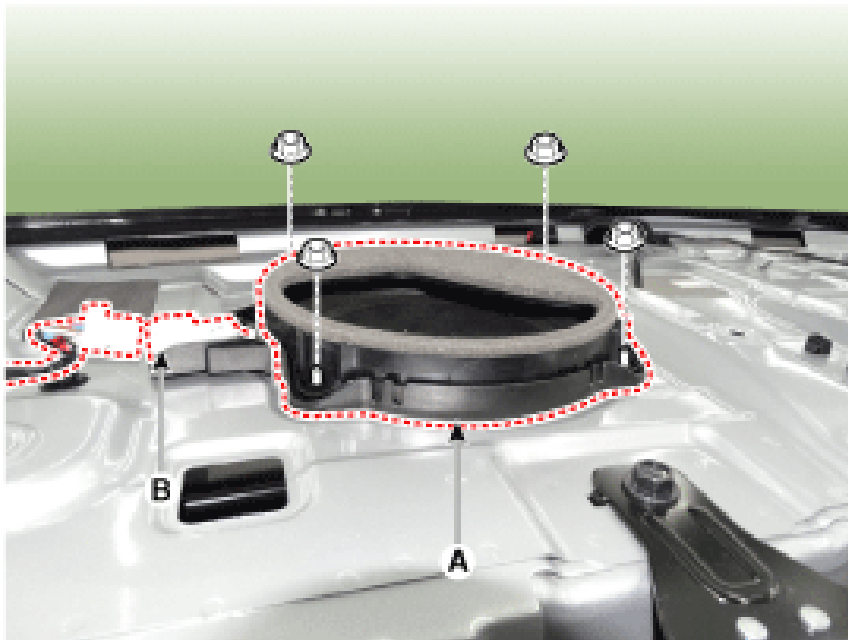


- Remove the center speaker (A) after disconnect the connector and loosening the screws.



[Sub Woofer Speaker]

- Remove the rear seat. (Refer to Body - "Rear Seat")
- Remove the package tray trim. (Refer to Body - "Rear Package Tray Trim")
- Remove the sub woofer speaker (A) after disconnect the connector and loosening the bolts.



- Installation

Front Door Speaker

- Install the front door speaker.
- Install the front door trim.

Rear Door Speaker

- Install the rear door speaker.
- Install the rear door trim.

Crash Pad Center Speaker

- Install the center speaker.
- Install the center speaker grille.

Subwoofer Speaker

- Install the subwoofer speaker.
- Install the rear package tray and rear seat.

Make sure the speaker connectors are plugged in properly.

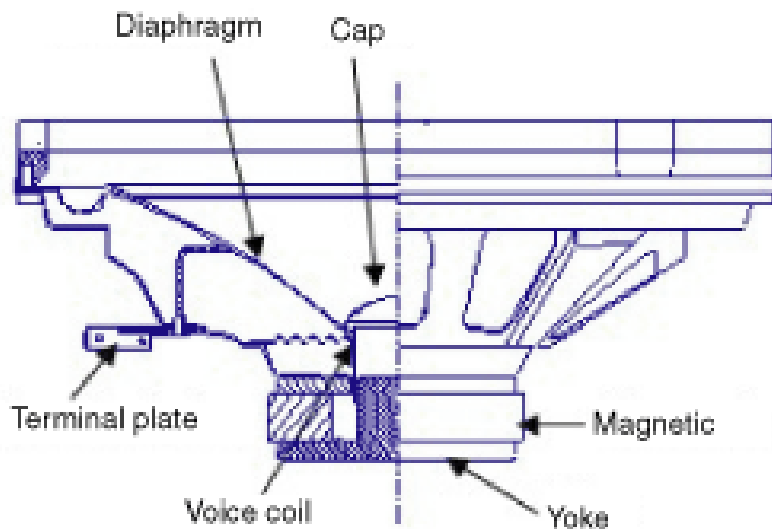
- Make sure the speaker connectors are plugged in properly.

Speakers - Repair Procedures (Audio) (Article 44738)

- Inspection

- Troubleshooting for Speaker Basic inspection of speaker Inspect the sound from speaker after verifying that the speaker mounting screws is removed and the wiring connector is connected precisely to remove vibration transmitted from body trims and surrounding parts. Case Troubleshooting No Case Inspection/Remedy 1 Trembling sound Before replacing the speaker, inspect that the mounting screw is installed normally. After re-installing the speaker, verify that no trembling sound is heard. When hearing a trembling sound again, replace the speaker with new one. 2 Noise Check if the wiring connector is connected normally. If not, reconnect the wiring connector. In case of radio static, check if there is a noise from CD player. When a noise is heard on turning radio and CD on, replace the speaker with new one. In case there is only radio static, this causes from poor radio reception. Thus the speaker needs no repair and replacement. 3 Poor working Inspection of the wiring connection between the battery and the speaker Before replacing the speaker, inspect the wiring and connections in the speaker circuit. Check the supplying power to the speaker and the resistance, and then inspect the sound quality. If the speaker works poorly, replace it with new one. During dealing of speaker Dropping or rough handling of the speaker can cause damage. Be careful not to cover water and oil over the speaker. Caution during dealing of speaker because the material of diaphragm is paper which is easy to be torn by impact and external force. When modifying audio system as customer pleases, this does electric damage to speaker. And, in this case the speakers are not covered by the manufacturer's warranty.

- Basic inspection of speaker Inspect the sound from speaker after verifying that the speaker mounting screws is removed and the wiring connector is connected precisely to remove vibration transmitted from body trims and surrounding parts.



- Case Troubleshooting No Case Inspection/Remedy 1 Trembling sound Before replacing the speaker, inspect that the mounting screw is installed normally. After re-installing the speaker, verify that no trembling sound is heard. When hearing a trembling sound again, replace the speaker with new one. 2 Noise Check if the wiring connector is connected normally. If not, reconnect the wiring connector. In case of radio static, check if there is a noise from CD player. When a noise is heard on turning radio and CD on, replace the speaker with new one. In case there is only radio static, this causes from poor radio reception. Thus the speaker needs no repair and replacement. 3 Poor working Inspection of the wiring connection between the battery and the speaker Before replacing the speaker, inspect the wiring and connections in the speaker circuit. Check the supplying power to the speaker and the resistance, and then inspect the sound quality. If the speaker works poorly, replace it with new one. During dealing of speaker Dropping or rough handling of the speaker can cause damage. Be careful not to cover water and oil over the speaker. Caution during dealing of speaker because the material of diaphragm is paper which is easy to be torn by impact and external force. When modifying audio system as customer pleases, this does electric damage to speaker. And, in this case the speakers are not covered by the manufacturer's warranty.

No Case Inspection/Remedy

1 Trembling sound Before replacing the speaker, inspect that the mounting screw is installed normally. After

re-installing the speaker, verify that no trembling sound is heard. When hearing a trembling sound again, replace the speaker with new one.

- Before replacing the speaker, inspect that the mounting screw is installed normally.
- After re-installing the speaker, verify that no trembling sound is heard.
- When hearing a trembling sound again, replace the speaker with new one.

2 Noise Check if the wiring connector is connected normally. If not, reconnect the wiring connector. In case of radio static, check if there is a noise from CD player. When a noise is heard on turning radio and CD on, replace the speaker with new one. In case there is only radio static, this causes from poor radio reception. Thus the speaker needs no repair and replacement.

- Check if the wiring connector is connected normally. If not, reconnect the wiring connector.
- In case of radio static, check if there is a noise from CD player.
- When a noise is heard on turning radio and CD on, replace the speaker with new one.

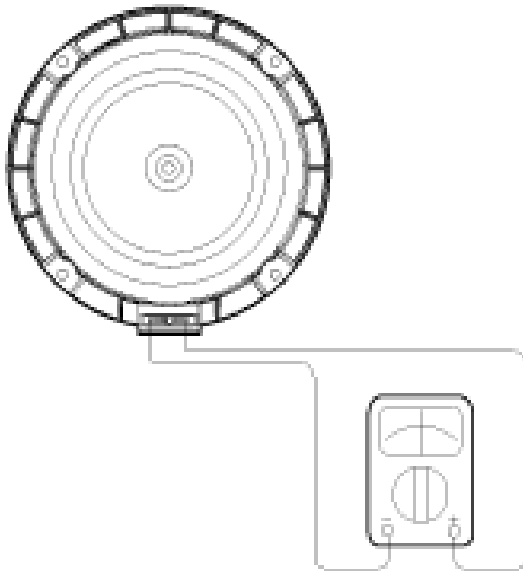
In case there is only radio static, this causes from poor radio reception. Thus the speaker needs no repair and replacement.

NOTICE

- In case there is only radio static, this causes from poor radio reception. Thus the speaker needs no repair and replacement.

3 Poor working Inspection of the wiring connection between the battery and the speaker Before replacing the speaker, inspect the wiring and connections in the speaker circuit. Check the supplying power to the speaker and the resistance, and then inspect the sound quality. If the speaker works poorly, replace it with new one.

- Before replacing the speaker, inspect the wiring and connections in the speaker circuit.
- Check the supplying power to the speaker and the resistance, and then inspect the sound quality.



- If the speaker works poorly, replace it with new one.

During dealing of speaker Dropping or rough handling of the speaker can cause damage. Be careful not to cover water and oil over the speaker. Caution during dealing of speaker because the material of diaphragm is paper which is easy to be torn by impact and external force. When modifying audio system as customer pleases, this does electric damage to speaker. And, in this case the speakers are not covered by the manufacturer's warranty.

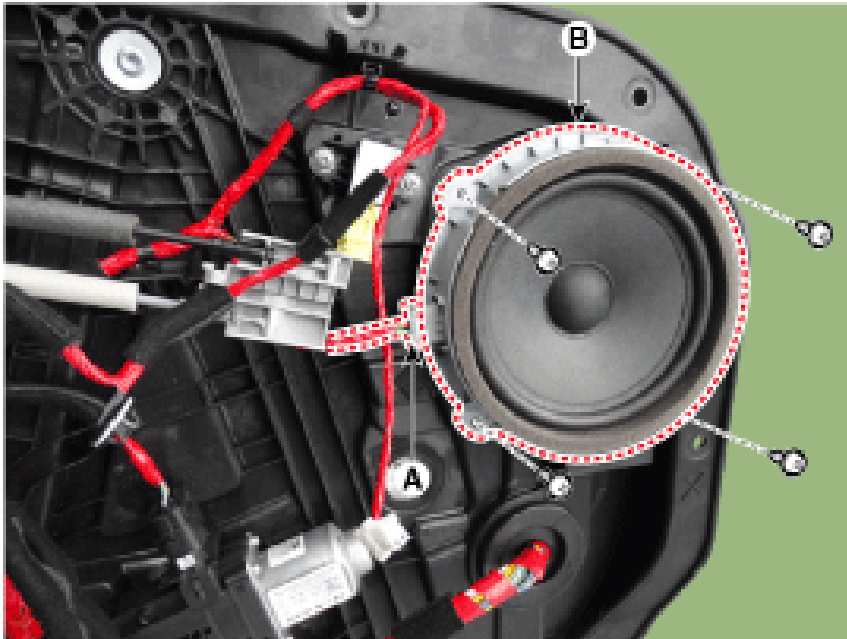
⚠ CAUTION

- During dealing of speaker
- Dropping or rough handling of the speaker can cause damage.
- Be careful not to cover water and oil over the speaker.
- Caution during dealing of speaker because the material of diaphragm is paper which is easy to be torn by impact and external force.
- When modifying audio system as customer pleases, this does electric damage to speaker.
- And, in this case the speakers are not covered by the manufacturer's warranty.

- Removal

[Front Door Speaker s]

- Disconnect the negative (-) battery terminal.
- Remove the front door trim.
- Remove the front door speaker (B) after disconnecting the connector (A) and loosening the screws.



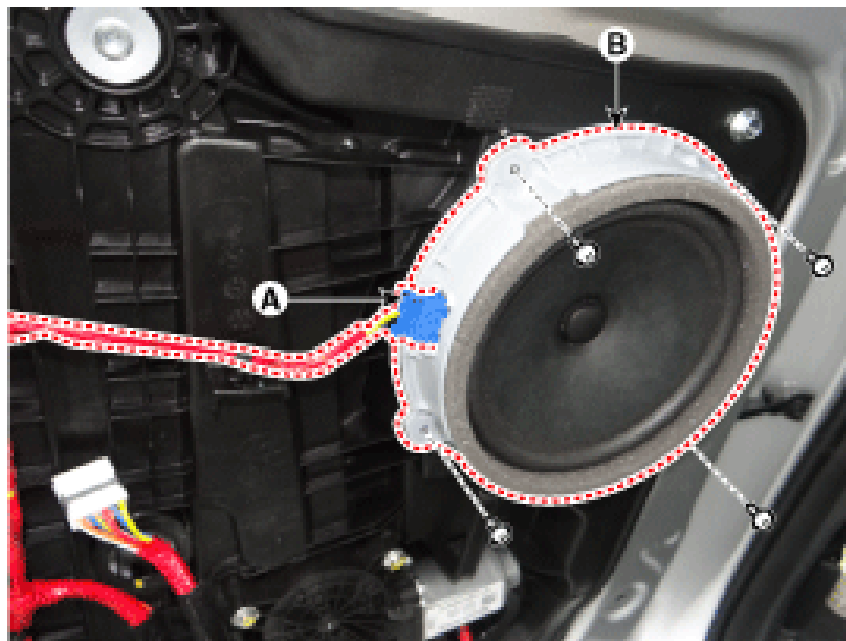
[Front Door Tweeter Speaker]

- Remove the tweeter speaker (A) after loosening the screws.



[Rear Door Speakers]

- Remove the rear door trim.
- Remove the rear door speaker (B) after disconnecting the connector (A) and loosening the screws.



[Crash Pad Center Speaker]

Take care not to scratch the crash pad and related parts.

- Take care not to scratch the crash pad and related parts.
- Using a screwdriver or remover, remove the crash pad center speaker grille (A).

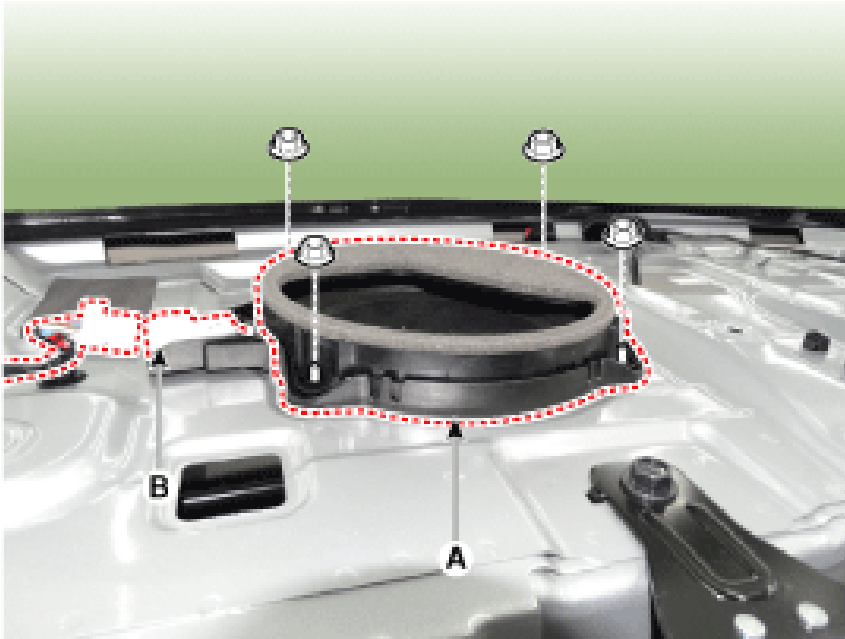


- Remove the center speaker (A) after disconnect the connector and loosening the screws.



[Sub Woofer Speaker]

- Remove the rear seat. (Refer to Body - "Rear Seat")
- Remove the package tray trim. (Refer to Body - "Rear Package Tray Trim")
- Remove the sub woofer speaker (A) after disconnect the connector and loosening the bolts.



- Installation

Front Door Speaker

- Install the front door speaker.

- Install the front door trim.

- Connect the negative (-) battery terminal.

Front Door Tweeter Speakers

- Install the front door tweeter speaker.

Rear Door Speaker

- Install the rear door speaker.

Crash Pad Center Speaker

- Install the center speaker.

- Install the center speaker grille.

Subwoofer Speaker

- Install the subwoofer speaker.

- Install the rear package tray and rear seat.

Make sure the speaker connectors are plugged in properly.

- Make sure the speaker connectors are plugged in properly.