

Component Procedures: Rear Vision Camera

Table of Contents

1. Parts and Labor (itype_189)
2. Rear View Monitor - Description and Operation (Article 44675)
3. Rear View Monitor - Schematic Diagrams (Article 44673)
4. Rear View Monitor - Components and Components Location (Article 44672)
5. Rear View Monitor - Repair Procedures (Article 44676)
6. All New Technical Service Bulletins (itype_432)
7. All Technical Service Bulletins (itype_100)

Component Procedures: Rear Vision Camera

Parts and Labor (itype_189)

Parts

Qualifier	Part #	Name	Price	Note
Parking Aid > Camera	99240F2000PR3	With Smart Key	514.50	

Rear View Monitor - Description and Operation (Article 44675)

- Description

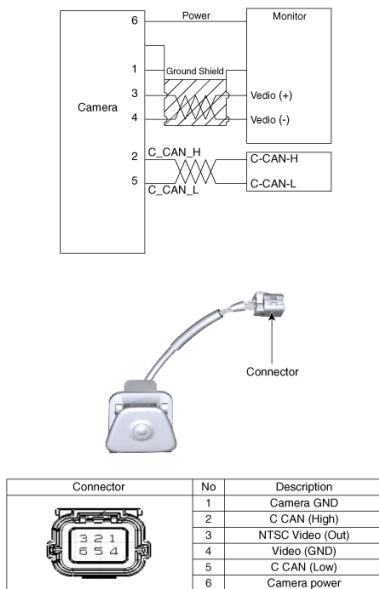
This system is a supplementary function only. It is the responsibility of the driver or always check the inside/ outside rearview mirror and the area behind the vehicle before and while backing up because there is a dead zone that can't see through the camera.



- This system is a supplementary function only. It is the responsibility of the driver or always check the inside/ outside rearview mirror and the area behind the vehicle before and while backing up because there is a dead zone that can't see through the camera.

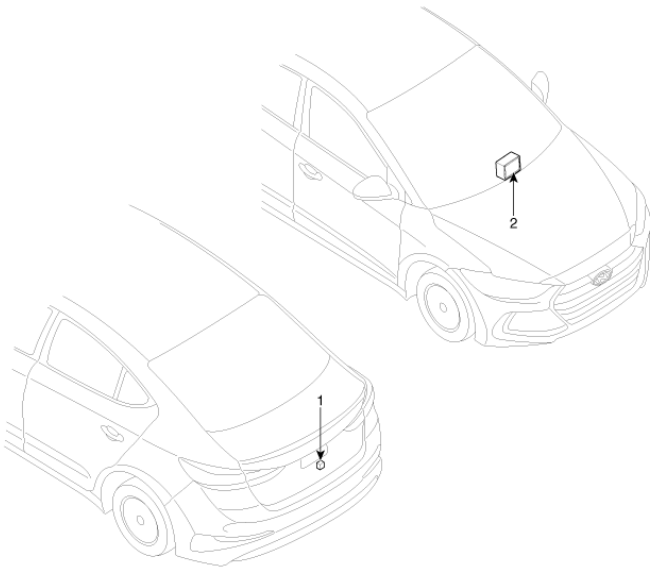
Rear View Monitor - Schematic Diagrams (Article 44673)

- Circuit Diagram



Rear View Monitor - Components and Components Location (Article 44672)

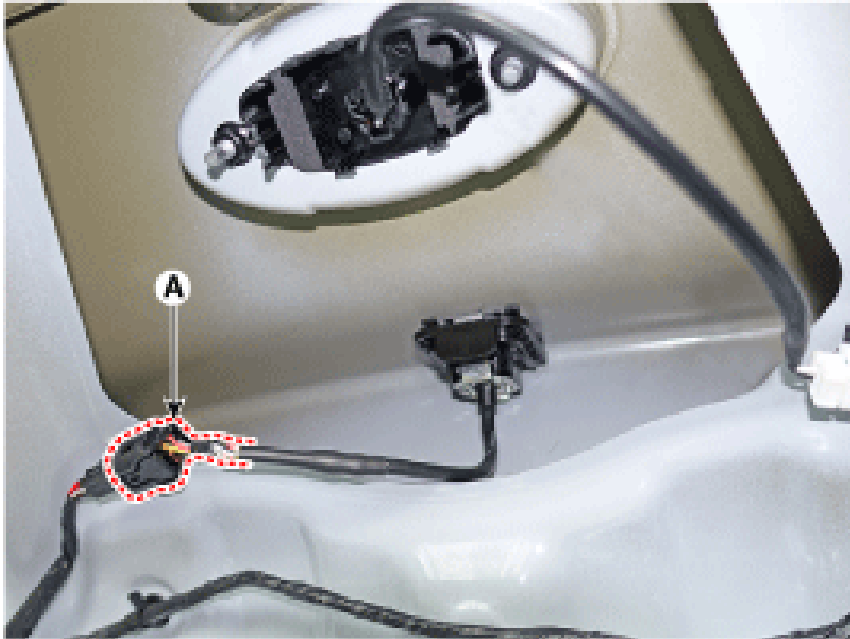
- Component Location



1. Rear view camera 2. AVN monitor

Rear View Monitor - Repair Procedures (Article 44676)

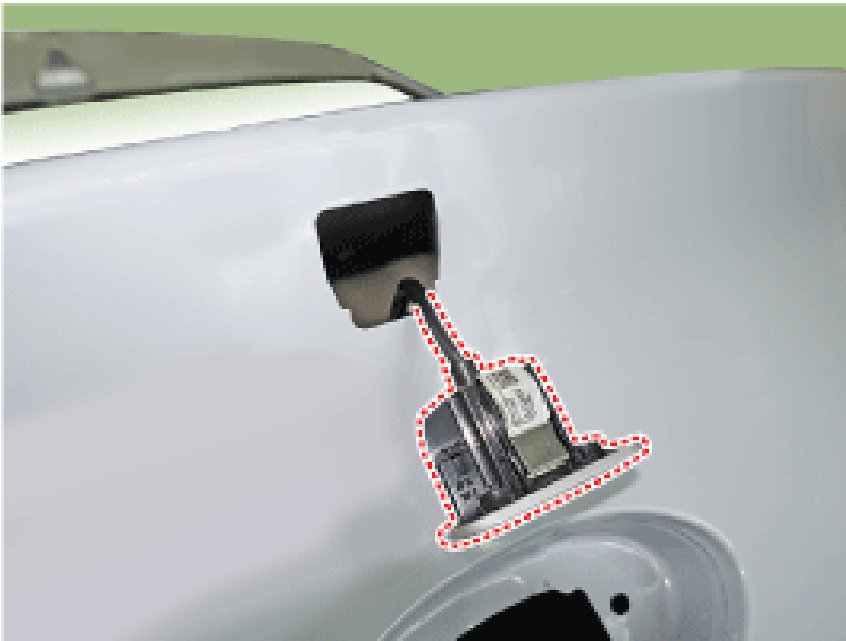
- Removal
- Disconnect the negative (-) battery terminal.
- Remove the trunk lid trim.
- Disconnect the rear view camera connector (A).



- Pull the camera holder in the direction of allow as the illustration below and remove it.



- Remove the rear view camera.



- Installation
- Install the rear view camera with holder.
- Install the trunk lid trim.
- Connect the negative (-) battery terminal.

All New Technical Service Bulletins (itype_432)

Tsbs

- REAR-VIEW MONITOR INSPECTION GUIDE (25-BE-024H, 2025/12/16)

All Technical Service Bulletins (itype_100)

Tsbs

- REAR-VIEW MONITOR INSPECTION GUIDE (25-BE-024H, 2025/12/16)