

Component Procedures: Rear Door Window Glass

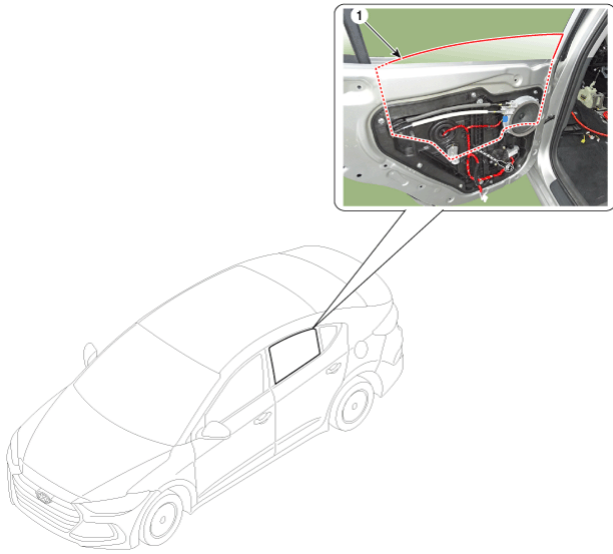
Table of Contents

1. Rear Door Window Glass - Components and Components Location (Article 44960)
2. Rear Door Window Glass - Repair Procedures (Article 44962)

Component Procedures: Rear Door Window Glass

Rear Door Window Glass - Components and Components Location (Article 44960)

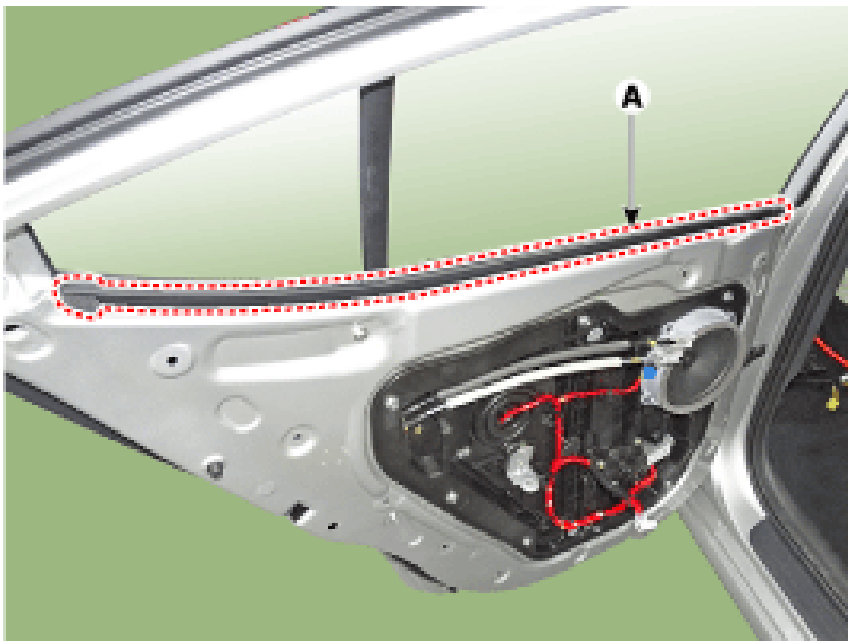
- Component Location



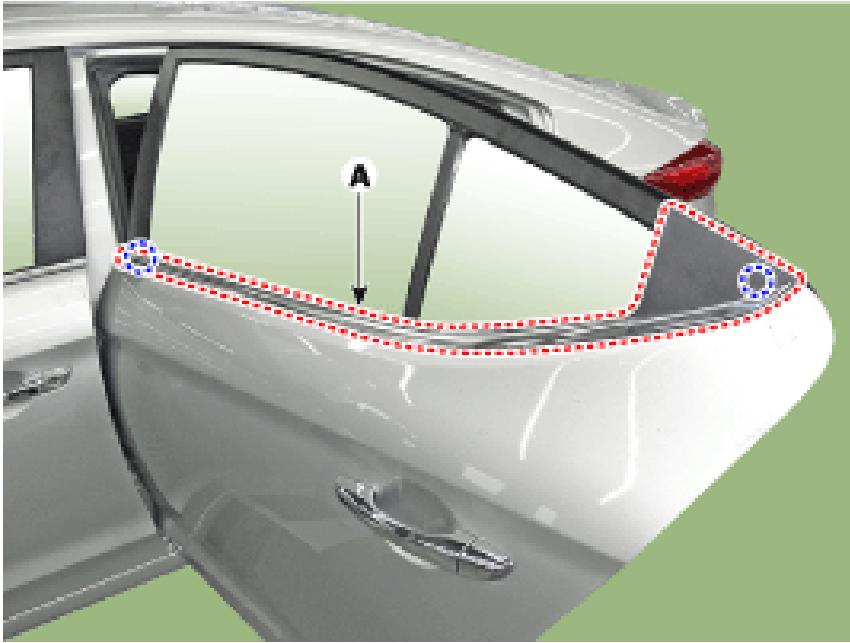
1. Rear door window glass

Rear Door Window Glass - Repair Procedures (Article 44962)

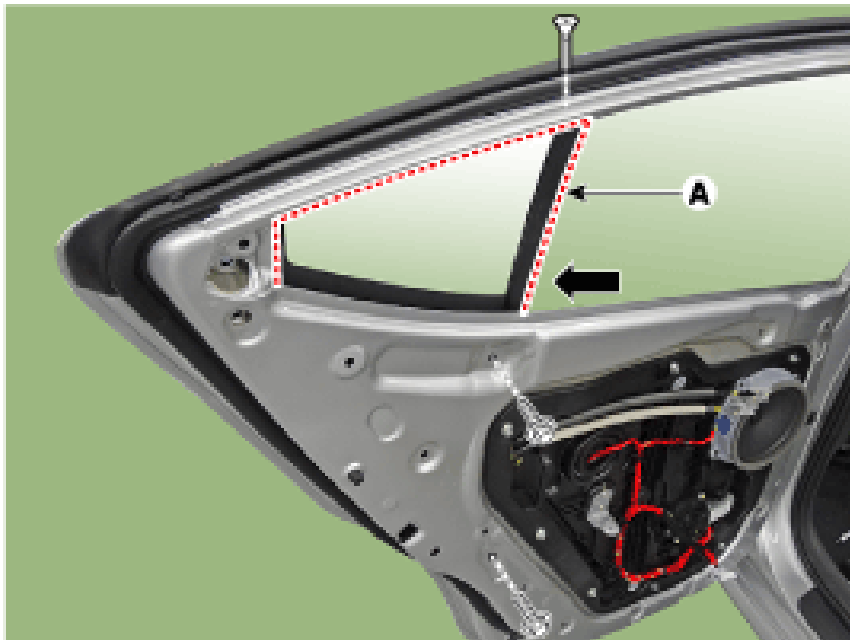
- Replacement
- Remove the rear door trim.
- Remove the rear door belt inside weatherstrip (A).



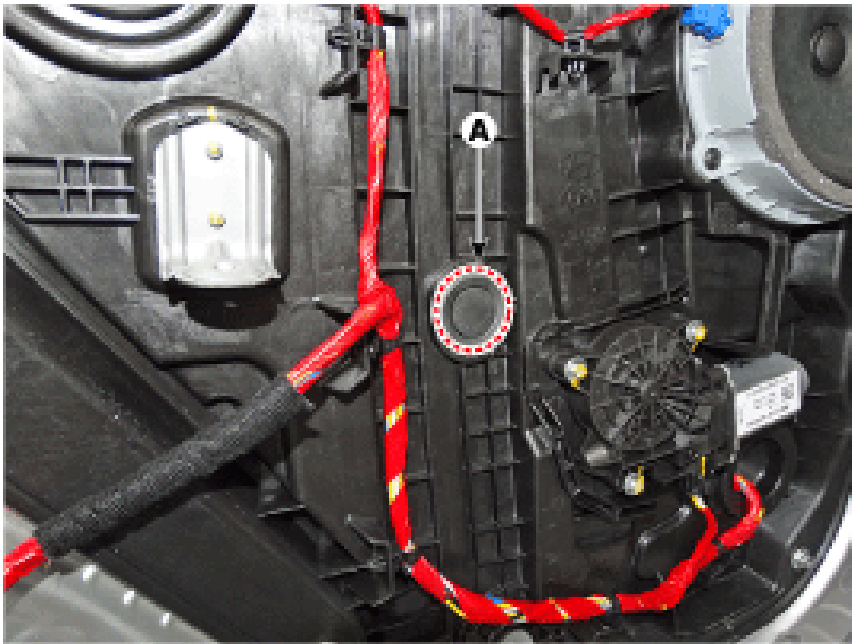
- Pull down rear door window glass by pressing the power window glass switch.
- Loosen the mounting screws and remove the rear door belt outside weatherstrip (A).



- Completely loosen the rear door channel mounting bolts and unscrew the loosely as possible without removing them from the rear door panel .
- Slightly push the rear door channel in the direction of arrow as below. Tightening torque : 3.9 - 5.9 N.m (0.4 - 0.6 kgf.m, 2.9 - 4.3 lb-ft)



- Remove the rear door window glass mounting hole plug (A). Be careful not to drop the glass and/or scratch the glass surface. Use the door switch to align the mounting hole/bolt with the hole in the door. If unable to operate the window motor , remove the motor and align the hole by hand.



Be careful not to drop the glass and/or scratch the glass surface.



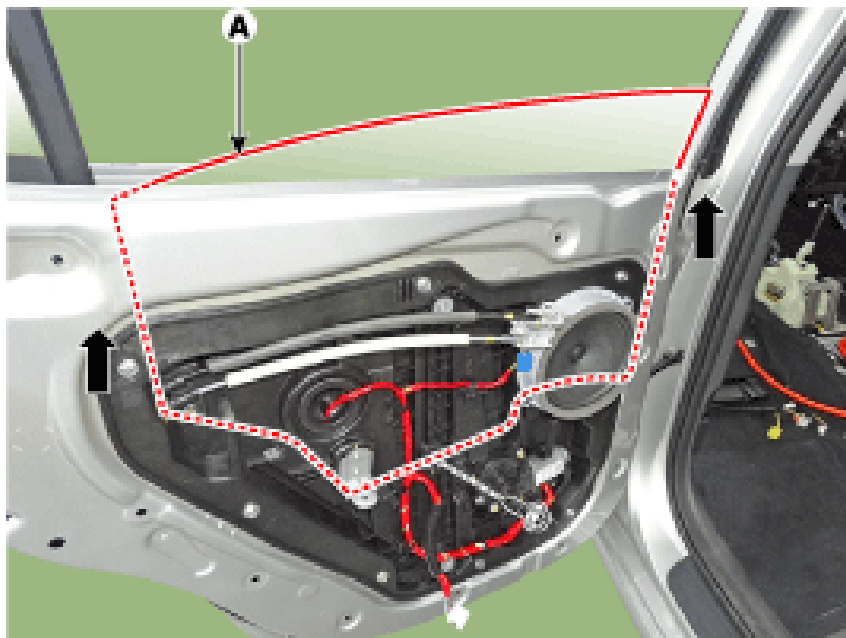
- Be careful not to drop the glass and/or scratch the glass surface.

Use the door switch to align the mounting hole/bolt with the hole in the door. If unable to operate the window motor , remove the motor and align the hole by hand.



Information

- Use the door switch to align the mounting hole/bolt with the hole in the door.
- If unable to operate the window motor , remove the motor and align the hole by hand.
- Carefully adjust the rear door window glass (A) until the bolts are visible, then loosen them. Separate the glass from the glass run and carefully pull the glass out through the window slot. Tightening torque : 8.8 - 11.8 N.m (0.9 - 1.2 kgf.m, 6.5 - 8.7 lb-ft)



- To install, reverse the removal procedure. Make sure that the glass rolls up and down smoothly. Adjust glass position as needed. Make sure the door locks and opens properly. Replace any damaged clips (or pin-type retainers).

Make sure that the glass rolls up and down smoothly. Adjust glass position as needed. Make sure the door locks and opens properly. Replace any damaged clips (or pin-type retainers).

- Make sure that the glass rolls up and down smoothly.

- Adjust glass position as needed.

- Make sure the door locks and opens properly.

- Replace any damaged clips (or pin-type retainers).