

# **Component Procedures: Back Window Glass**

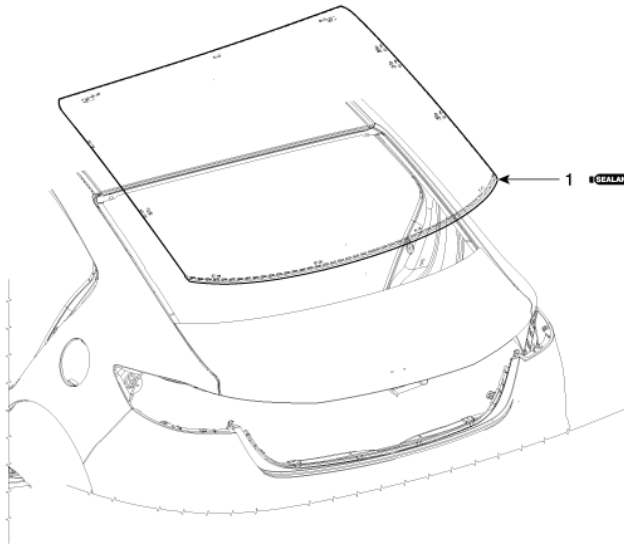
## **Table of Contents**

1. Rear Window Glass - Components and Components Location (Article 45057)
2. Rear Window Glass - Repair Procedures (Article 45058)

## Component Procedures: Back Window Glass

### Rear Window Glass - Components and Components Location (Article 45057)

- Components



1. Rear window glass

### Rear Window Glass - Repair Procedures (Article 45058)

- Removal

Put on gloves to protect your hands.



- Put on gloves to protect your hands.

Use seat covers to avoid damaging any surfaces.



- Use seat covers to avoid damaging any surfaces.

- Remove the roof side molding. (Refer to Body Side Moldings - "Roof Side Molding")

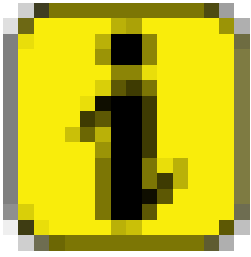
- Remove the package tray trim. (Refer to Interior Trim - "Package Tray Trim")

- Remove the rear curtain.

- Spread the WD-40 on the side of rear window glass .

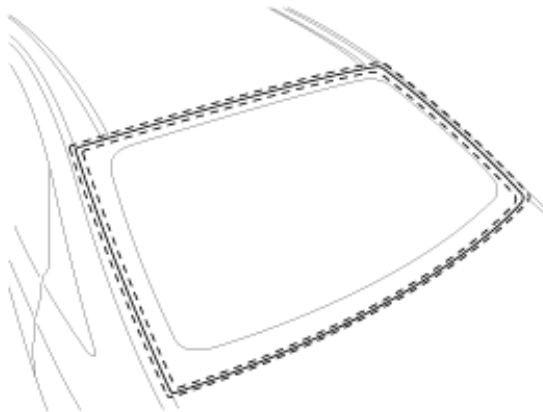
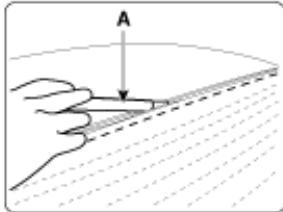
- Cut out the adhesive using the cutter (A). Please use the cutter with a blade length between 8-12 inches.

Please use the cutter with a blade length between 8-12 inches.



# Information

- Please use the cutter with a blade length between 8-12 inches.

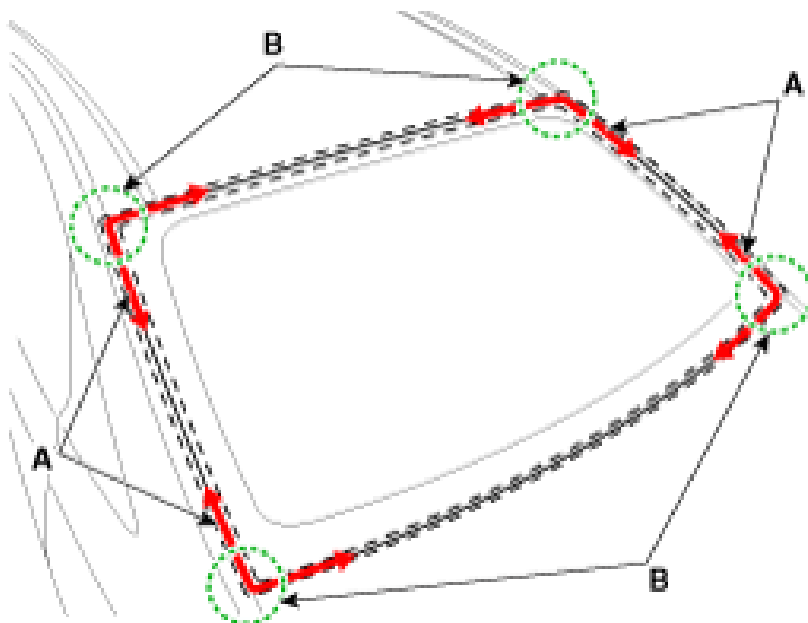


- Cut off the sealant on the edge (B) while pulling the piano wire (A) left and right. Put on gloves to protect your hands. Heat may occur when working on the wires. Be careful not to burn your hands. Be careful not to disconnect the piano wire.

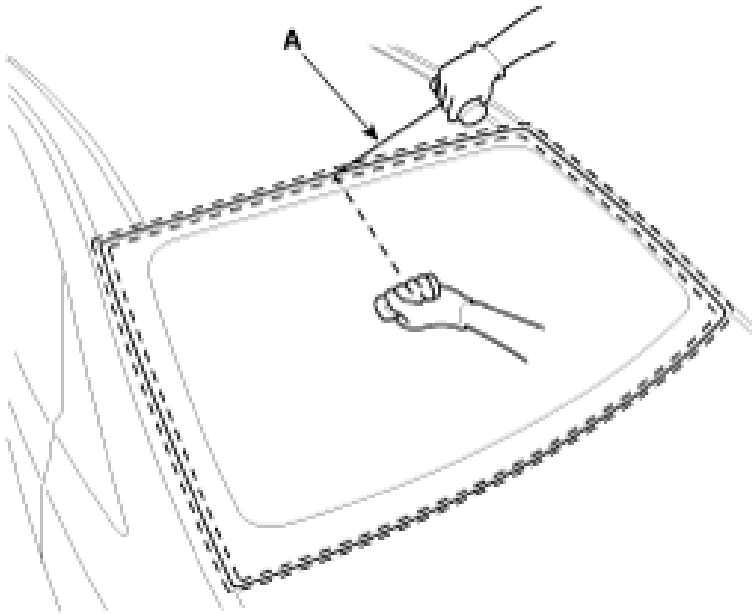
Put on gloves to protect your hands. Heat may occur when working on the wires. Be careful not to burn your hands. Be careful not to disconnect the piano wire.

- Heat may occur when working on the wires. Be careful not to burn your hands.

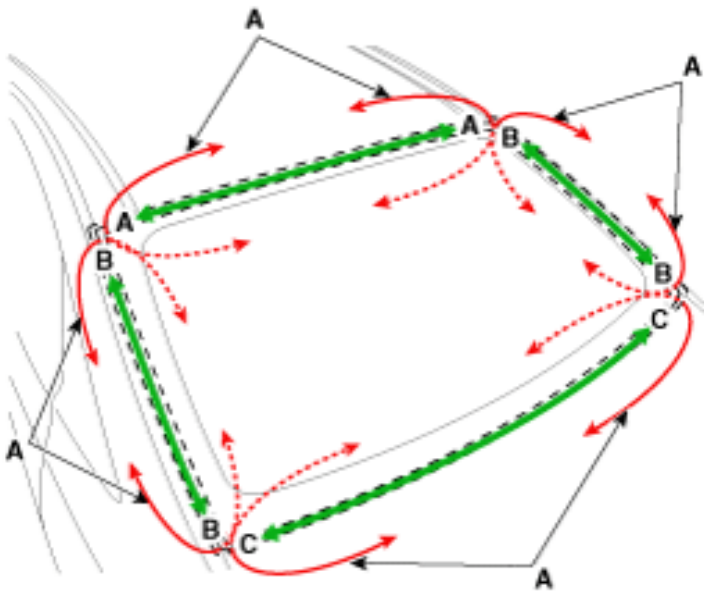
- Be careful not to disconnect the piano wire.



- If a piano wire is visible inside the chassis, pull the piano wire (A) line inside.



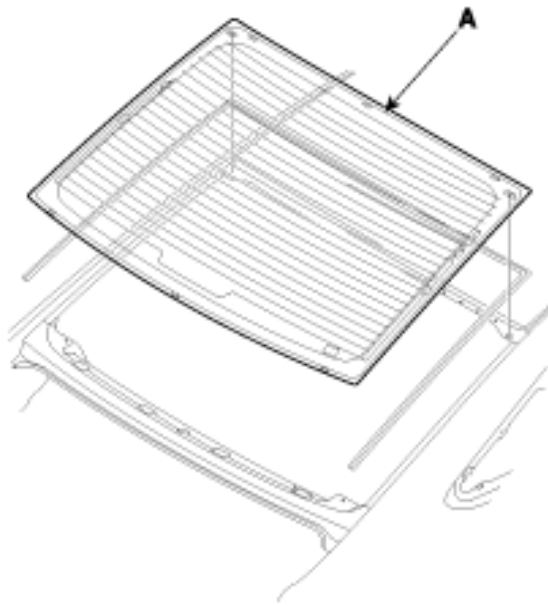
- Cut off the sealant on (A-A), (B-B), (C-C), while pulling a piano wire (A) left and right. Put on gloves to protect your hands. Heat may occur when working on the wires. Be careful not to burn your hands. Be careful not to disconnect the piano wire.



- Remove the rear window glass (A). When removing and installing the rear window glass , an assistant is necessary.

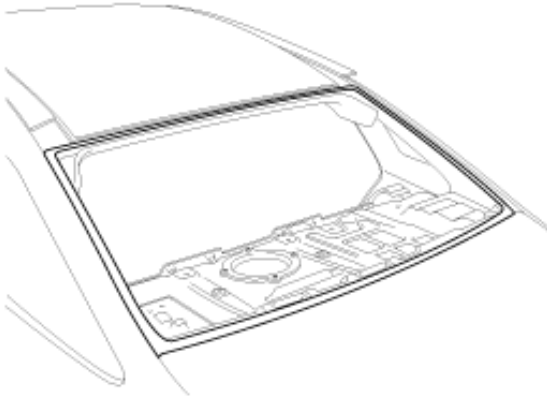
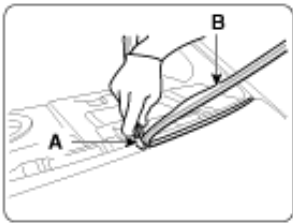
When removing and installing the rear window glass , an assistant is necessary.

- When removing and installing the rear window glass , an assistant is necessary.

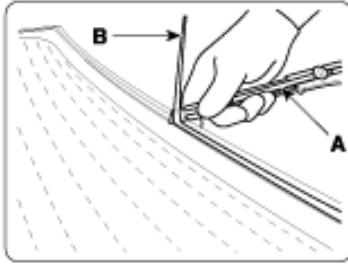


- Installation

- Remove the sealant (B) with a cutting knife (A) on the body panel. Put on gloves to protect your hands.



- Remove the sealant (B) with a cutting knife (A) on the rear window glass. Put on gloves to protect your hands.



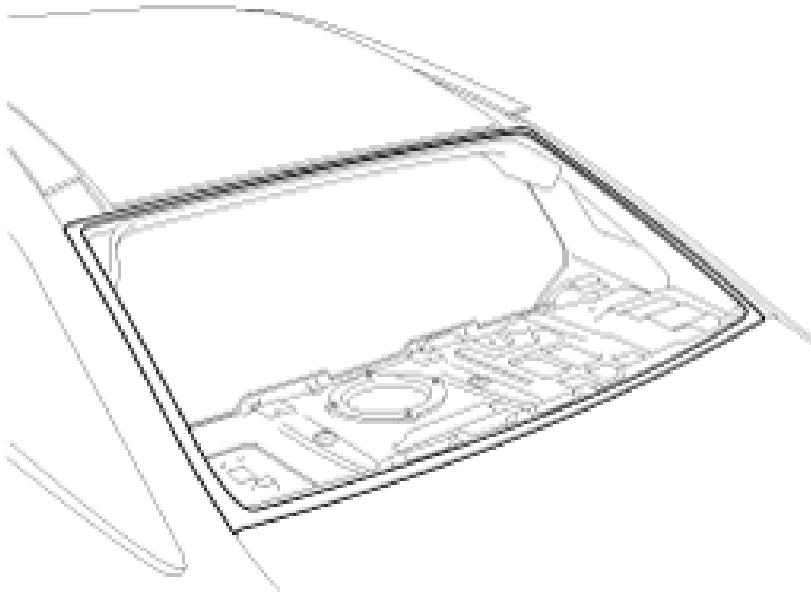
- With a sponge, apply a light coat of body primer to the original adhesive remaining around the rear window glass opening flange. Let the body primer dry for at least 10 minutes. Do not apply glass primer to the body, and be careful not to mix up glass and body primer sponges. Never touch the primed surfaces with your hands. Mask off the dashboard before painting the flange.

Do not apply glass primer to the body, and be careful not to mix up glass and body primer sponges. Never touch the primed surfaces with your hands. Mask off the dashboard before painting the flange.

- Do not apply glass primer to the body, and be careful not to mix up glass and body primer sponges.

- Never touch the primed surfaces with your hands.

- Mask off the dashboard before painting the flange.



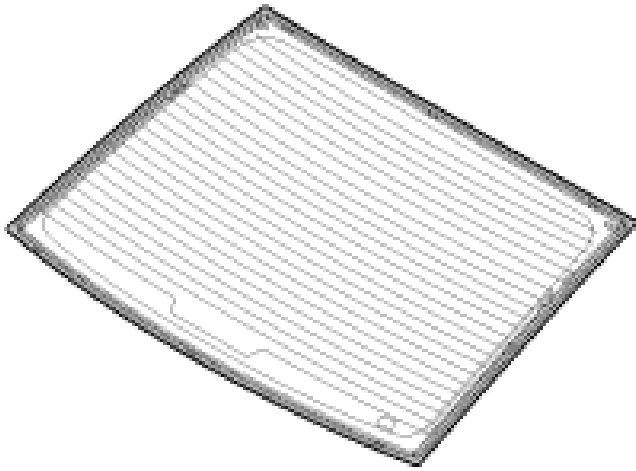
- Apply a light coat of glass primer to the outside of the fasteners. Never touch the primed surface with your hand. If you do, the adhesive may not bond to the glass properly, causing a leak after the rear window glass is installed. Do not apply body primer to the glass. Keep water, dust, and abrasive materials away from the primer.

Never touch the primed surface with your hand. If you do, the adhesive may not bond to the glass properly, causing a leak after the rear window glass is installed. Do not apply body primer to the glass. Keep water, dust, and abrasive materials away from the primer.

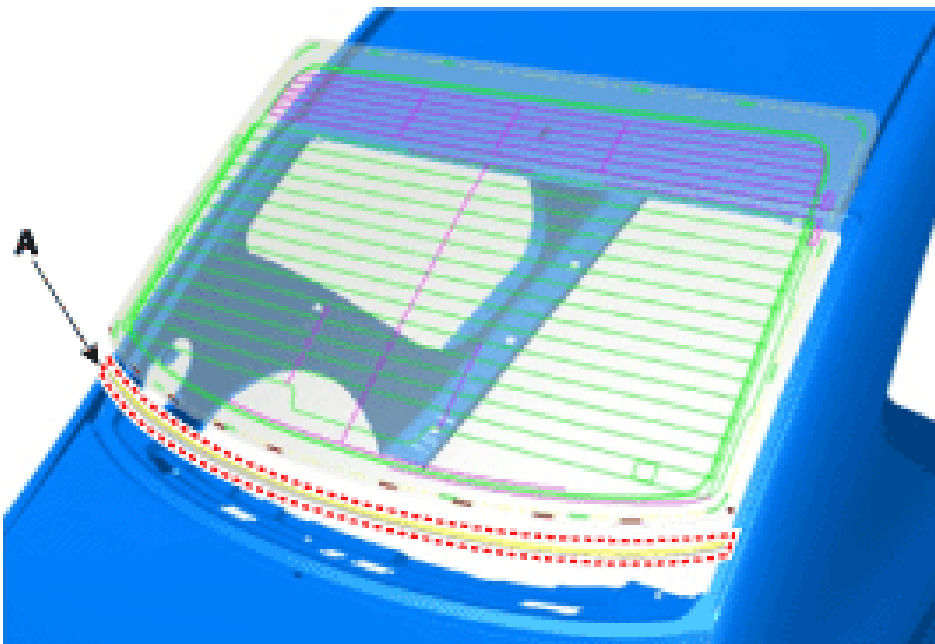
- Never touch the primed surface with your hand. If you do, the adhesive may not bond to the glass properly, causing a leak after the rear window glass is installed.

- Do not apply body primer to the glass.
- Keep water, dust, and abrasive materials away from the primer.

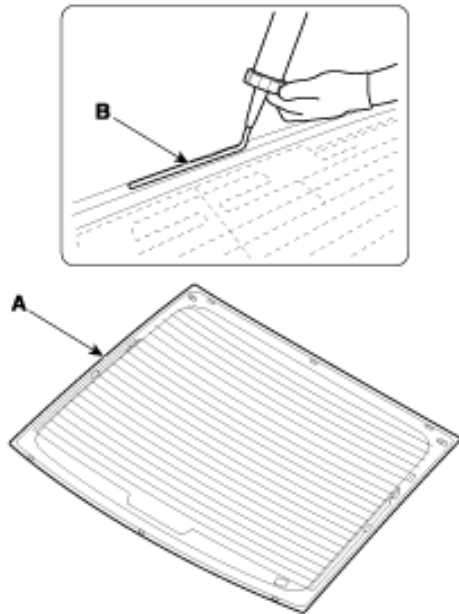
 : Primer



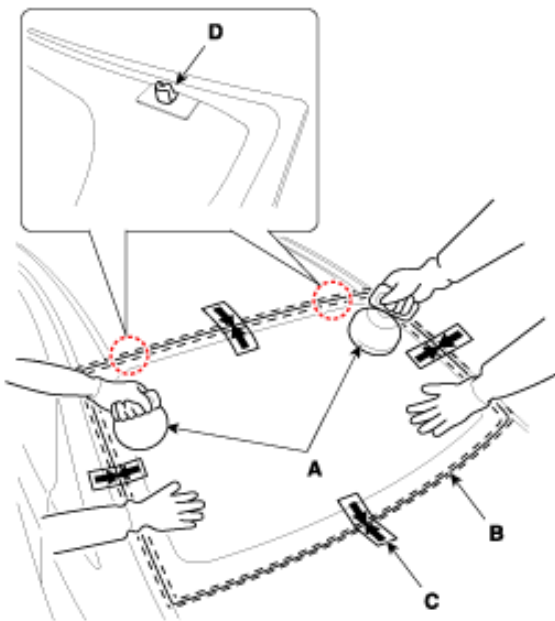
- Peel off the tape from the rear window glass molding (A) and install the molding on the rear window glass.



- Pack adhesive into the cartridge without air pockets to ensure continuous delivery. Put the cartridge in a caulking gun, and run a bead of adhesive (B) around the edge of the rear window glass (A) between the fastener and molding as shown. Apply the adhesive within 30 minutes after applying the glass primer. Make a slightly thicker bead at each corner. Sealant Bead width Height : 12 mm (0.4724 in.) Width : 8 mm (0.3150 in.)



- Use suction cups (A) to hold the rear window glass (B) over the opening, align it with the alignment marks (C) made in step 15, and set it down on the adhesive. Lightly push on the windshield until its edges are fully seated on the adhesive all the way around. Do not open or close the doors until the adhesive is dry. When installing the rear window glass (B), set the rear glass service hole (D) to the frame exactly.
- When installing the rear window glass (B), set the rear glass service hole (D) to the frame exactly.
- When installing the rear window glass (B), set the rear glass service hole (D) to the frame exactly.



- Let the adhesive dry for at least 3-4 hour, then spray water over the glass and check for leaks. Do not spray to adhesive area directly. Spray water over the glass and then spill water around the glass.
- Do not spray to adhesive area directly. Spray water over the glass and then spill water around the glass.
- Areas may leak. Let the glass dry, then seal with adhesive. Let the vehicle stand for at least four hours after glass installation. If the vehicle has to be used within the first eight, it must be driven slowly. Keep the glass dry for the first hour after installation. Please have the driver use caution and not drive vehicle along an uneven dirt road or drive violently.
- Let the vehicle stand for at least four hours after glass installation. If the vehicle has to be used within the first eight, it must be driven slowly. Keep the glass dry for the first hour after installation. Please have the driver use caution and not drive vehicle along an uneven dirt road or drive violently.
- Let the vehicle stand for at least four hours after glass installation. If the vehicle has to be used within

the first eight, it must be driven slowly.

- Keep the glass dry for the first hour after installation.
- Please have the driver use caution and not drive vehicle along an uneven dirt road or drive violently.
- Install the rear curtain.
- Install the package tray trim. (Refer to Interior Trim - "Package Tray Trim")
- Install the roof side molding. (Refer to Body Side Moldings - "Roof Side Molding")