

# **Component Procedures: Steering Mounted Controls Assembly**

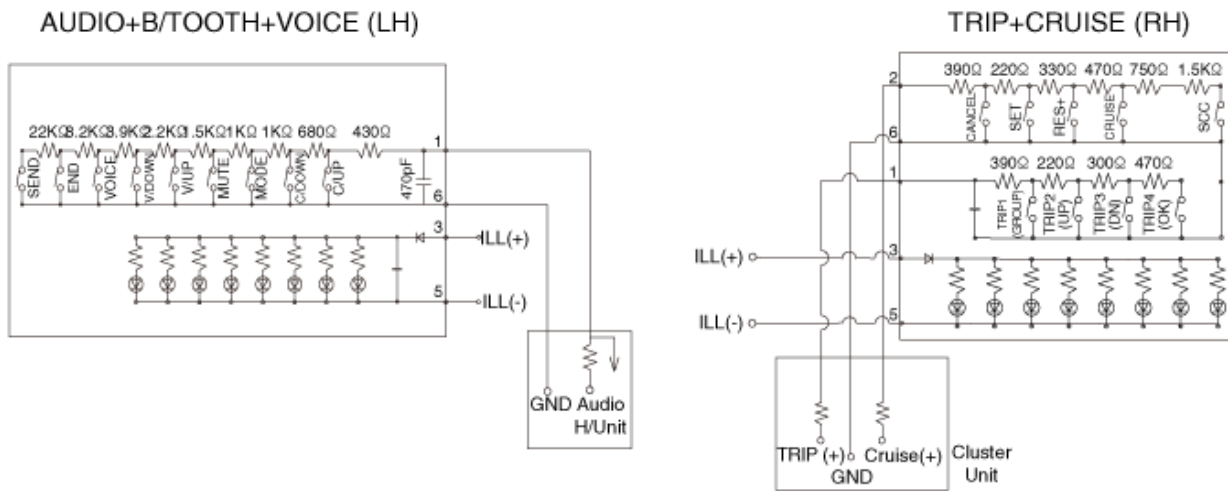
## **Table of Contents**

1. AVN Remote Controller - Schematic Diagrams (Article 44757)
2. Audio Remote Control - Schematic Diagrams (Audio) (Article 44741)
3. AVN Remote Controller - Components and Components Location (Article 44756)
4. Audio Remote Control - Components and Components Location (Audio) (Article 44740)
5. AVN Remote Controller - Repair Procedures (Article 44759)
6. Audio Remote Control - Repair Procedures (Audio) (Article 44743)

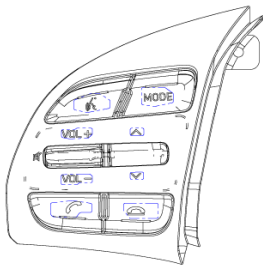
# Component Procedures: Steering Mounted Controls Assembly

## AVN Remote Controller - Schematic Diagrams (Article 44757)

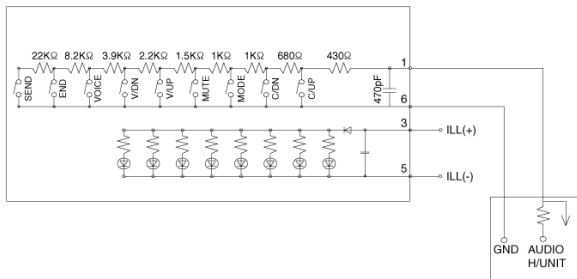
- Circuit Diagram



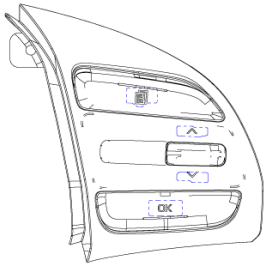
[ Audio + B/Tooth + Voice]



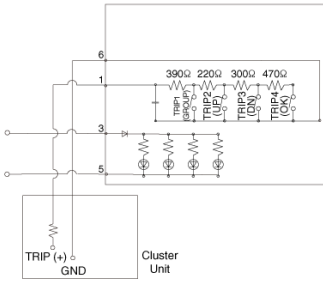
Connector	
NO	Description
1	Audio (+)
2	-
3	Illumination (+)
4	-
5	Illumination (-)
6	Audio (-)



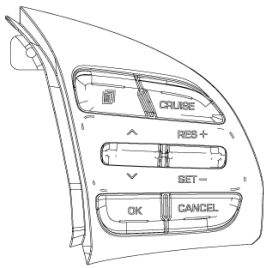
[Trip]



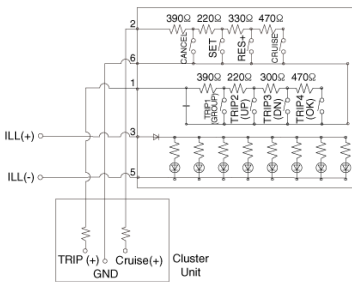
Connector	
NO	Description
1	Trip Switch1 (+)
2	Trip Switch2 (+)
3	Illumination (+)
4	-
5	Illumination (-)
6	Trip Switch (-)



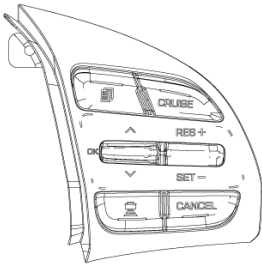
[Trip / Cruise]



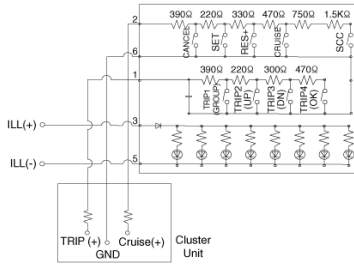
Connector	
NO	Description
1	Trip Switch1 (+)
2	Trip Switch2 (+)
3	Illumination (+)
4	-
5	Illumination (-)
6	Trip Switch (-)



[Trip / Cruise / Smart Cruise]

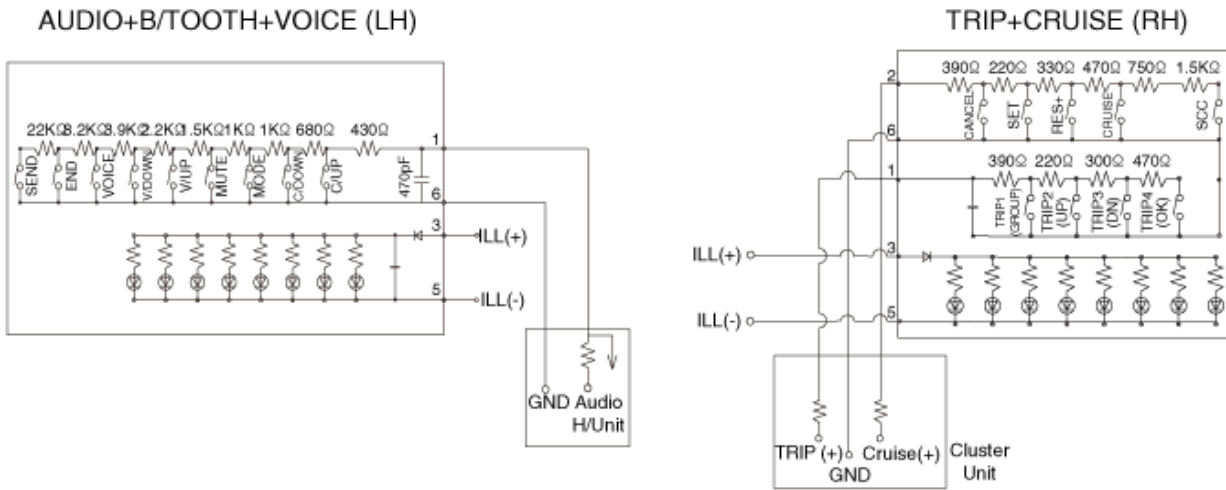


Connector	
NO	Description
1	Trip Switch1 (+)
2	Trip Switch2 (+)
3	Illumination (+)
4	-
5	Illumination (-)
6	Trip Switch (-)

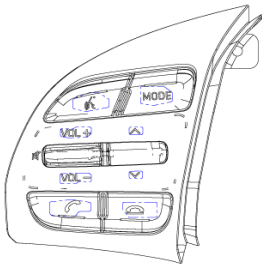


## Audio Remote Control - Schematic Diagrams (Audio) (Article 44741)

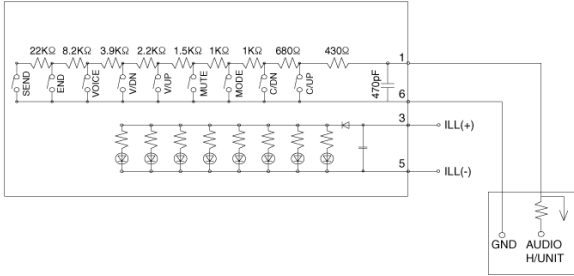
- Circuit Diagram



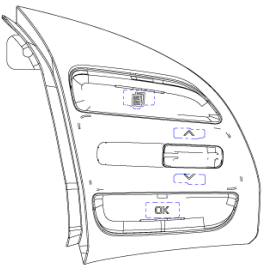
[ Audio + B/Tooth + Voice]



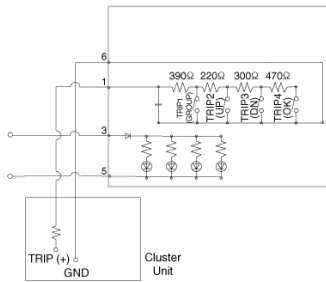
Connector	
NO	Description
1	Audio (+)
2	-
3	Illumination (+)
4	-
5	Illumination (-)
6	Audio (-)



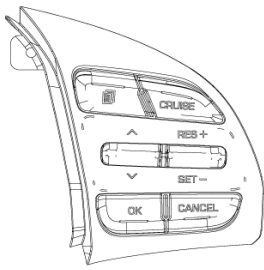
### [Trip]



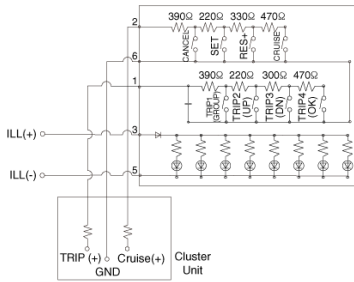
Connector	
NO	Description
1	Trip Switch1 (+)
2	Trip Switch2 (+)
3	Illumination (+)
4	-
5	Illumination (-)
6	Trip Switch (-)



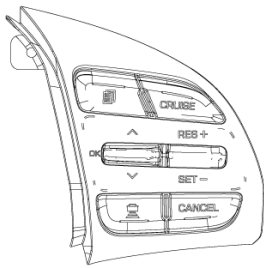
### [Trip / Cruise]



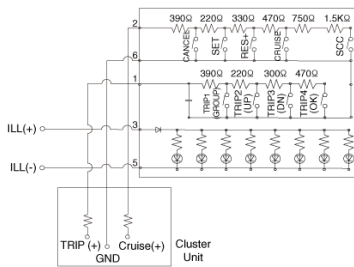
Connector	
NO	Description
1	Trip Switch1 (+)
2	Trip Switch2 (+)
3	Illumination (+)
4	-
5	Illumination (-)
6	Trip Switch (-)



[Trip / Cruise / Smart Cruise]

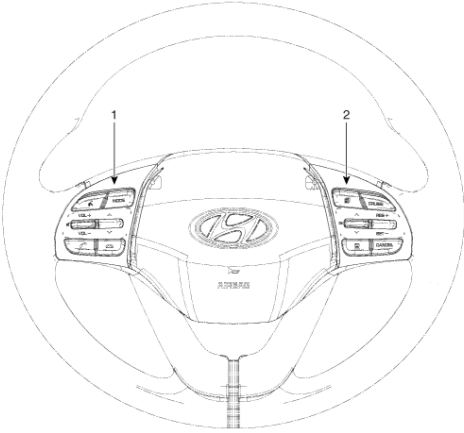


Connector	
NO	Description
1	Trip Switch1 (+)
2	Trip Switch2 (+)
3	Illumination (+)
4	-
5	Illumination (-)
6	Trip Switch (-)



## AVN Remote Controller - Components and Components Location (Article 44756)

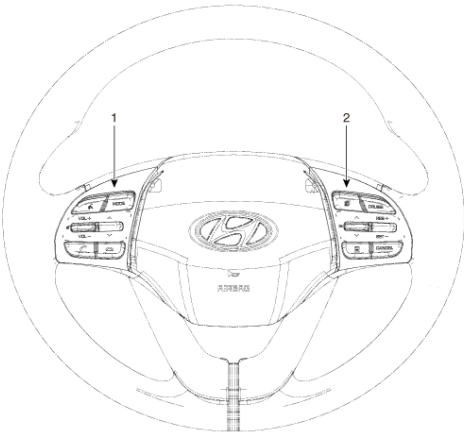
- Components



1. Left Remote Control Switch ( Audio + Hands free) 2. Right Remote Control Switch (Cruise+Trip Computer)

### **Audio Remote Control - Components and Components Location (Audio) (Article 44740)**

- Components



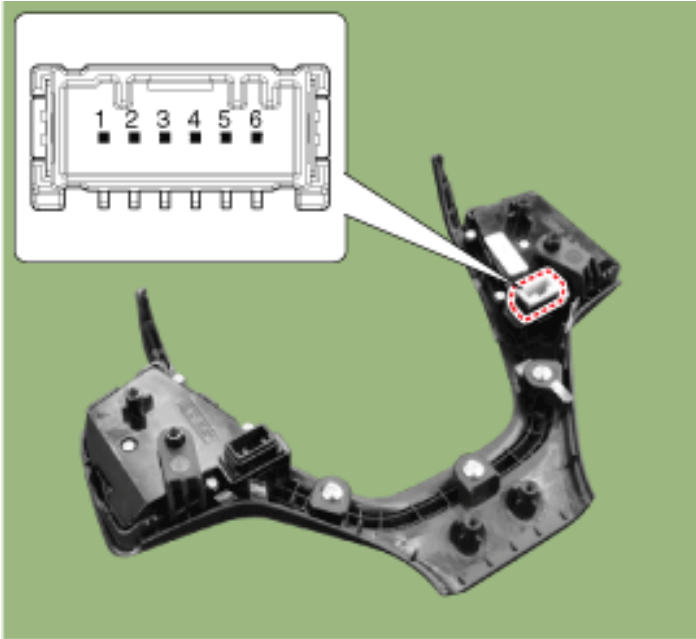
1. Left Remote Control Switch ( Audio + Hands free) 2. Right Remote Control Switch (Cruise+Trip Computer)

### **AVN Remote Controller - Repair Procedures (Article 44759)**

- Inspection

- Check for resistance between terminals in each switch position (LH). [LH : Audio + Hands free] Switch

Connector terminal Resistance  $\pm(3\%)$  SEEK Up 1 - 6 430  $\Omega$  SEEK Down 1.11 k $\Omega$  MODE 2.11 k $\Omega$  MUTE 3.11 k $\Omega$  Volume (+) 4.61 k $\Omega$  Volume (-) 6.81 k $\Omega$  Voice 10.71 k $\Omega$  SEND 18.91 k $\Omega$  END 40.91 k $\Omega$



[LH : Audio + Hands free]

Switch Connector terminal Resistance  $\pm(3\%)$

SEEK Up 1 - 6 430  $\Omega$

SEEK Down 1.11 k $\Omega$

MODE 2.11 k $\Omega$

MUTE 3.11 k $\Omega$

Volume (+) 4.61 k $\Omega$

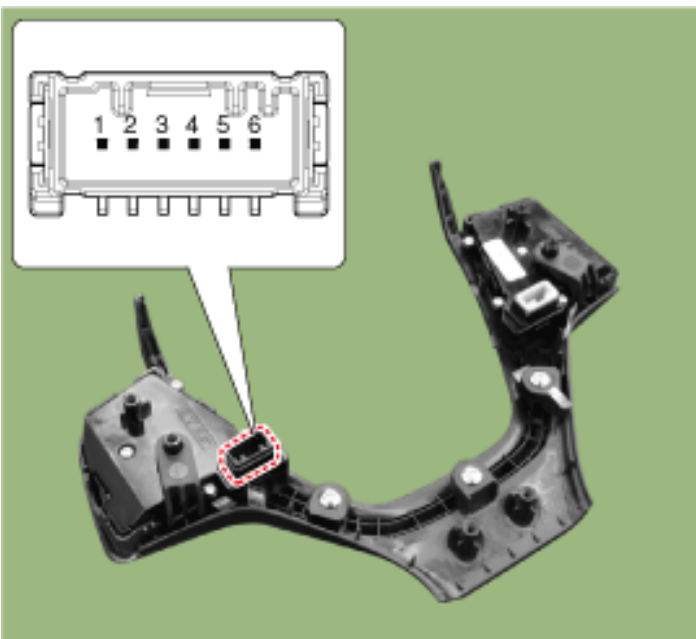
Volume (-) 6.81 k $\Omega$

Voice 10.71 k $\Omega$

SEND 18.91 k $\Omega$

END 40.91 k $\Omega$

- Check for resistance between terminals in each switch position (RH). [RH : Trip + Cruise] Switch Connector terminal Resistance  $\pm(3\%)$  Cancel 1 - 6 390  $\Omega$  SET - 610  $\Omega$  RES + 910  $\Omega$  Cruise ON/OFF 1.38 k $\Omega$  Speed Limiter 2.13 k $\Omega$  SCC ON / OFF 3.63 k $\Omega$  Trip 390  $\Omega$  Trip GROUP Trip UP 610  $\Omega$  Trip DOWN 910 k $\Omega$  Trip RESET 1.38 k $\Omega$  Trip OK



[RH : Trip + Cruise]

Cancel 1 - 6 390  $\Omega$

SET - 610  $\Omega$

RES + 910  $\Omega$

Cruise ON/OFF 1.38 k $\Omega$

Speed Limiter 2.13 k $\Omega$

SCC ON / OFF 3.63 k $\Omega$

Trip 390  $\Omega$

Trip GROUP

Trip UP 610  $\Omega$

Trip DOWN 910 k $\Omega$

Trip RESET 1.38 k $\Omega$

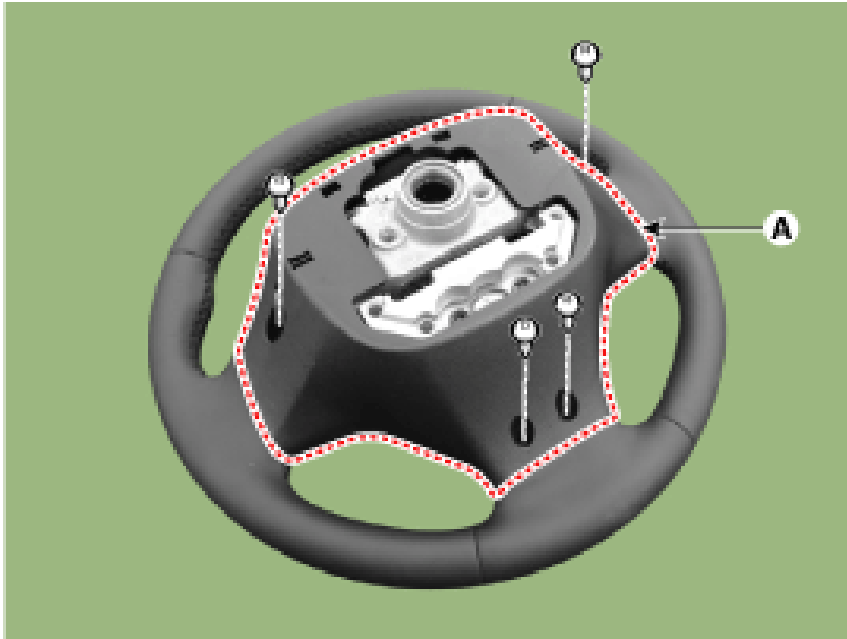
Trip OK

- Removal

- Disconnect the negative (-) battery terminal.

- Remove the steering wheel assembly. (Refer to Steering System - "Steering Wheel")

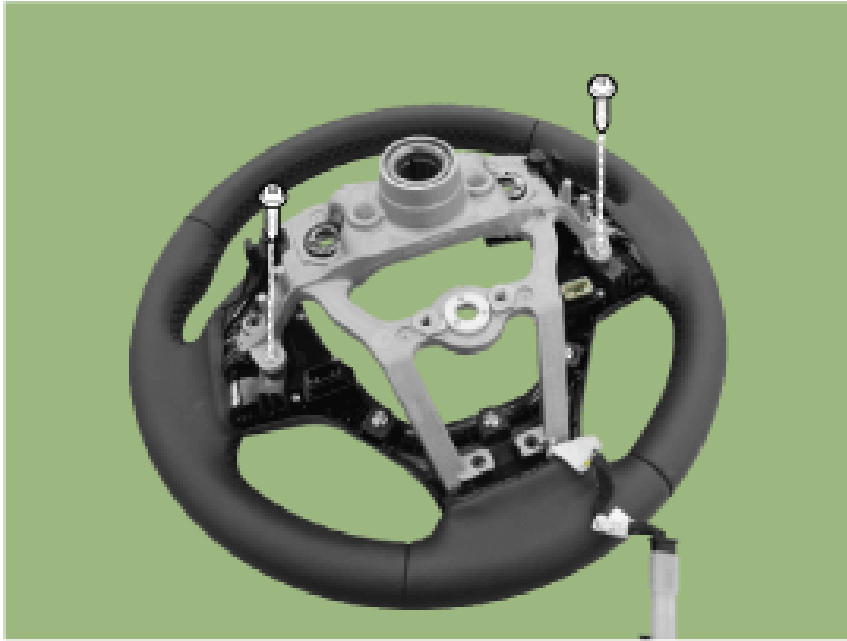
- Remove the steering back cover (A).



- Remove the steering remote control connector (A).



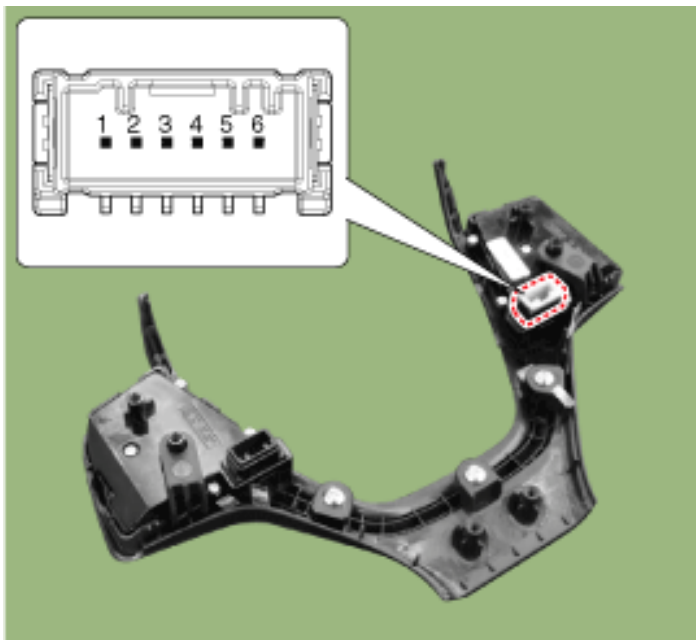
- Remove the steering remote control after loosening the screws.



- Installation
- Install the steering wheel remote control after connecting the connector.
- Connect the negative (-) battery terminal.

### Audio Remote Control - Repair Procedures (Audio) (Article 44743)

- Inspection
- Check for resistance between terminals in each switch position (LH). [LH : Audio + Hands free] Switch  
Connector terminal Resistance  $\pm(3\%)$  SEEK Up 1 - 6 430  $\Omega$  SEEK Down 1.11 k $\Omega$  MODE 2.11 k $\Omega$  MUTE 3.11 k $\Omega$  Volume (+) 4.61 k $\Omega$  Volume (-) 6.81 k $\Omega$  Voice 10.71 k $\Omega$  SEND 18.91 k $\Omega$  END 40.91 k $\Omega$

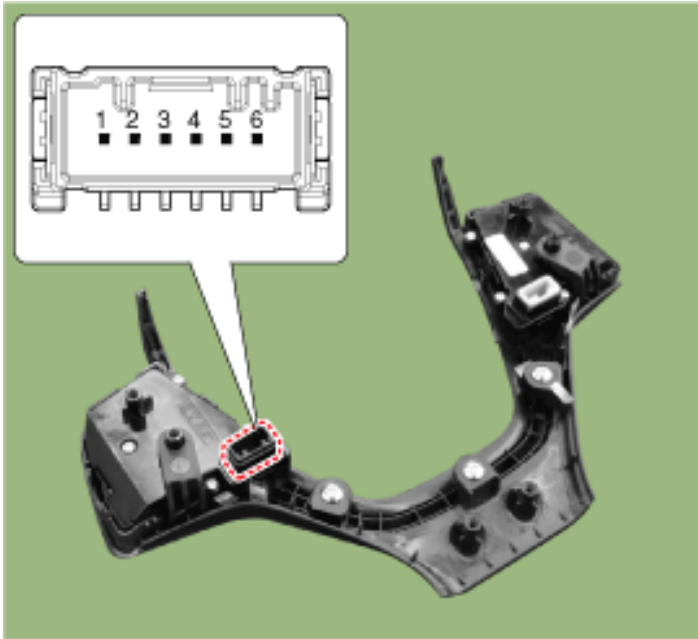


- [LH : Audio + Hands free]  
Switch Connector terminal Resistance  $\pm(3\%)$   
SEEK Up 1 - 6 430  $\Omega$   
SEEK Down 1.11 k $\Omega$   
MODE 2.11 k $\Omega$   
MUTE 3.11 k $\Omega$   
Volume (+) 4.61 k $\Omega$   
Volume (-) 6.81 k $\Omega$   
Voice 10.71 k $\Omega$

SEND 18.91 k $\Omega$

END 40.91 k $\Omega$

- Check for resistance between terminals in each switch position (RH). [RH : Trip + Cruise] Switch Connector terminal Resistance  $\pm(3\%)$  Cancel 1 - 6 390  $\Omega$  SET - 610  $\Omega$  RES + 910  $\Omega$  Cruise ON/OFF 1.38 k $\Omega$  Speed Limiter 2.13 k $\Omega$  SCC ON / OFF 3.63 k $\Omega$  Trip 390  $\Omega$  Trip GROUP Trip UP 610  $\Omega$  Trip DOWN 910 k $\Omega$  Trip RESET 1.38 k $\Omega$  Trip OK



[RH : Trip + Cruise]

Cancel 1 - 6 390  $\Omega$

SET - 610  $\Omega$

RES + 910  $\Omega$

Cruise ON/OFF 1.38 k $\Omega$

Speed Limiter 2.13 k $\Omega$

SCC ON / OFF 3.63 k $\Omega$

Trip 390  $\Omega$

Trip GROUP

Trip UP 610  $\Omega$

Trip DOWN 910 k $\Omega$

Trip RESET 1.38 k $\Omega$

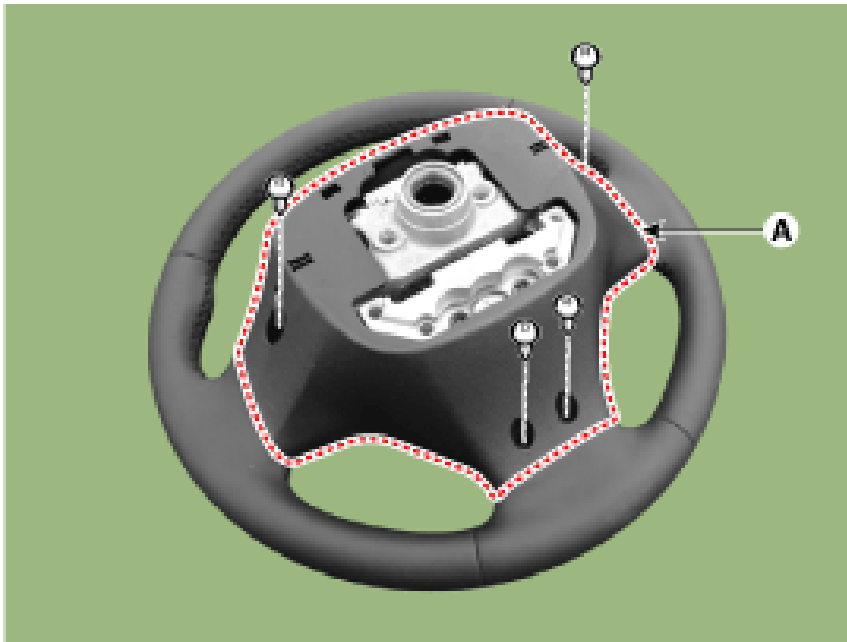
Trip OK

- Removal

- Disconnect the negative (-) battery terminal.

- Remove the steering wheel assembly. (Refer to Steering System - "Steering Wheel")

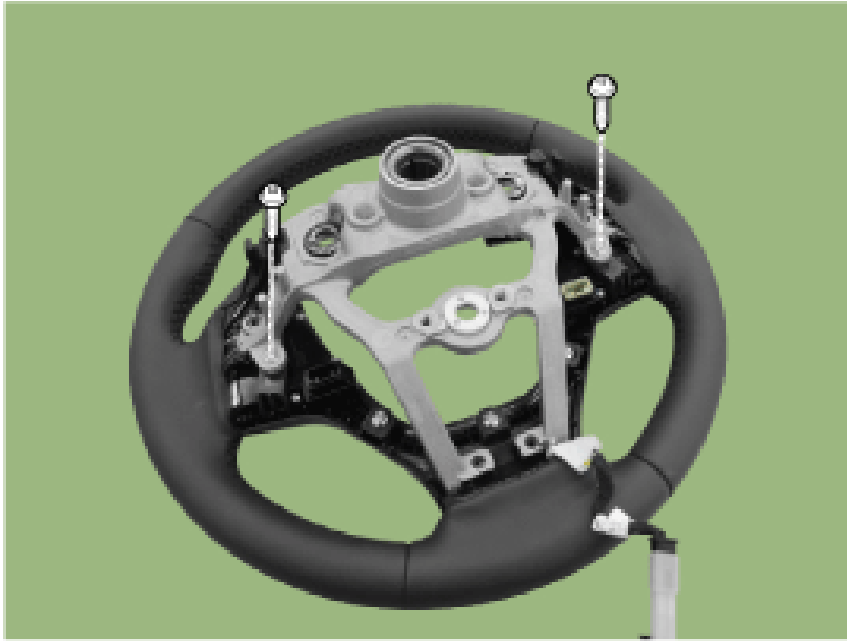
- Remove the steering back cover (A).



- Remove the steering remote control connector (A).



- Remove the steering remote control after loosening the screws.



- Installation
- Install the steering wheel remote control after connecting the connector.
- Connect the negative (-) battery terminal.