

Component Procedures: Rear Door Weatherstrip

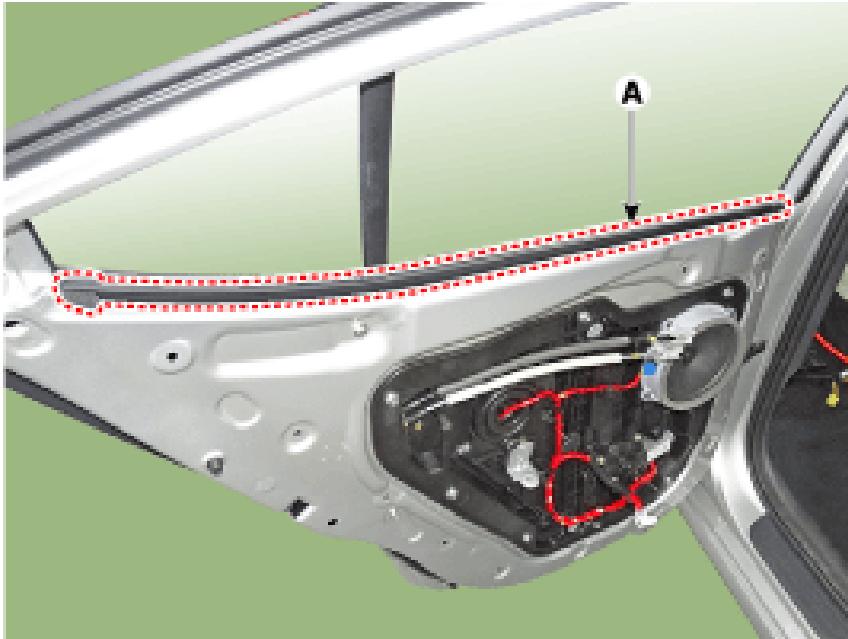
Table of Contents

1. Rear Door Belt Inside Weatherstrip - Repair Procedures (Article 44948)
2. Rear Door Belt Outside Weatherstrip - Repair Procedures (Article 44976)
3. Rear Door Side Weatherstrip - Repair Procedures (Article 44950)

Component Procedures: Rear Door Weatherstrip

Rear Door Belt Inside Weatherstrip - Repair Procedures (Article 44948)

- Replacement
- Remove the rear door trim.
- Remove the rear door belt inside weatherstrip (A).



- To install, reverse the removal procedure. When installing, install it by first contacting the inside part (basis point of assembly) of arrow to door frame . Replace any damaged clips.
- When installing, install it by first contacting the inside part (basis point of assembly) of arrow to door frame . Replace any damaged clips.

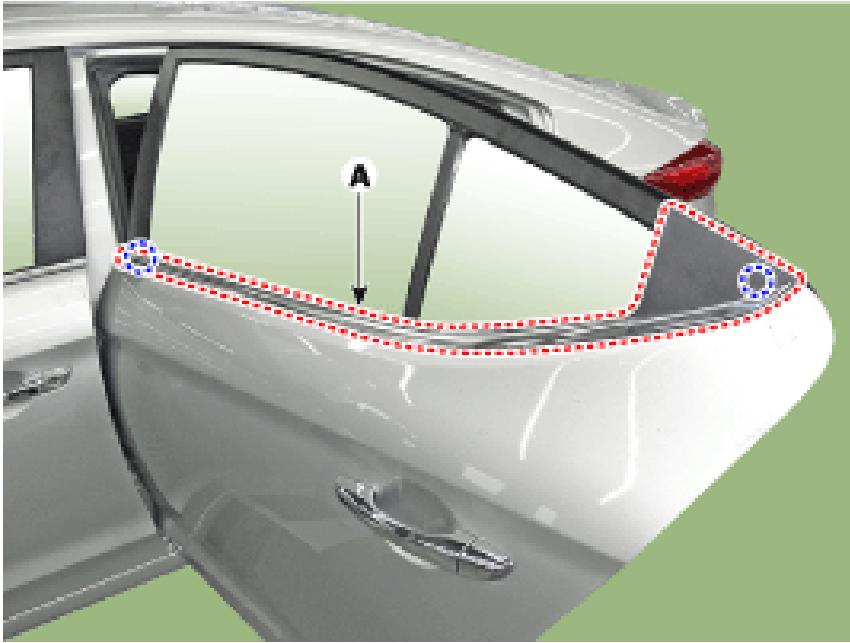


Information

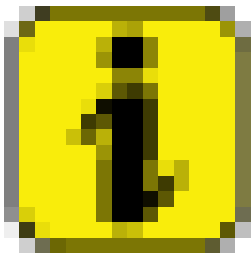
- When installing, install it by first contacting the inside part (basis point of assembly) of arrow to door frame .
- Replace any damaged clips.

Rear Door Belt Outside Weatherstrip - Repair Procedures (Article 44976)

- Replacement
- Pull down the rear door window glass to the lowest level by pressing the power window glass switch.
- After loosening the mounting screws, remove the rear door belt outside weatherstrip (A).



- To install, reverse the removal procedure. Replace any damaged clips.
Replace any damaged clips.



Information

- Replace any damaged clips.

Rear Door Side Weatherstrip - Repair Procedures (Article 44950)

- Replacement
- Loosen the rear door checker (B) mounting bolt. Tightening torque : 16.7 - 21.6 N.m (1.7 - 2.2 kgf.m, 12.3 - 15.9 lb-ft)
- Detach the clips, remove the rear door side weatherstrip (A).



- To install, reverse the removal procedure. Replace any damaged clips.
Replace any damaged clips.



Information

- Replace any damaged clips.