

# **Component Procedures: Console**

## **Table of Contents**

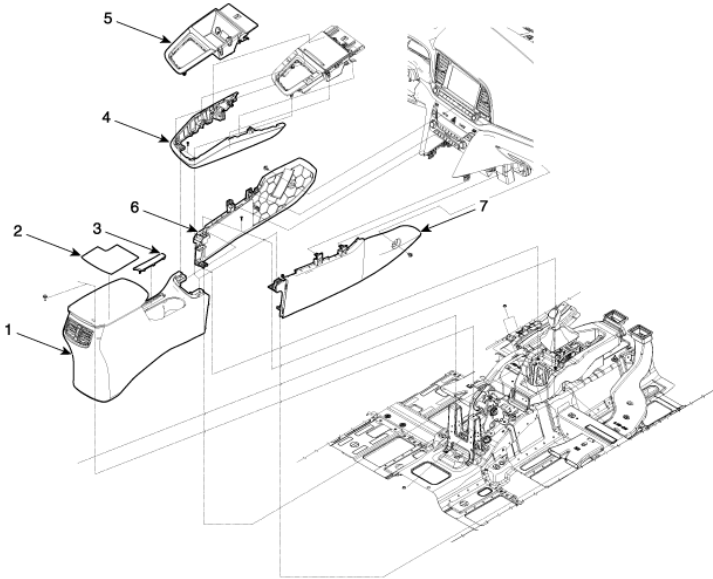
1. Floor Console - Components and Components Location (Article 44999)
2. Floor Console Assembly - Components and Components Location (Article 45000)
3. Rear Console Cover - Components and Components Location (Article 45002)
4. Floor Console Assembly - Repair Procedures (Article 45001)
5. Rear Console Cover - Repair Procedures (Article 45003)

# Component Procedures: Console

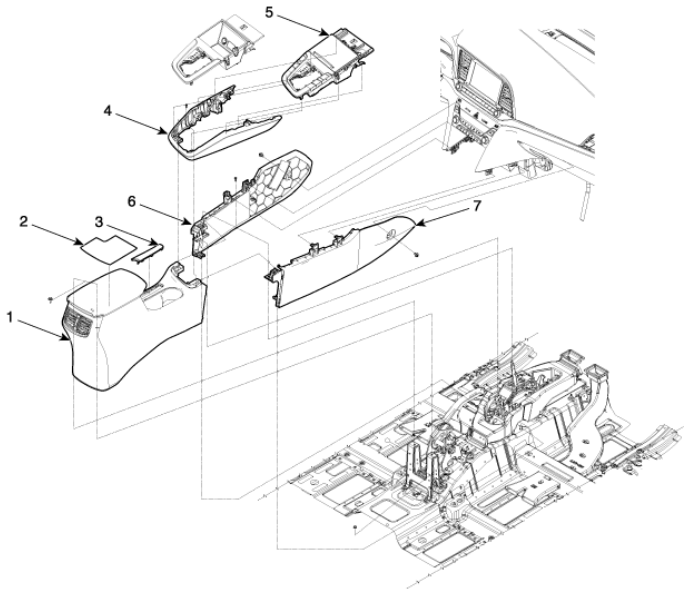
## Floor Console - Components and Components Location (Article 44999)

- Components

[M/T]



1. Floor console assembly 2. Console tray mat 3. Parking brake cover 4. Console garnish assembly 5. Console upper complete assembly 6. Front console side cover [LH] 7. Front console side cover [RH]  
[A/T]



## Floor Console Assembly - Components and Components Location (Article 45000)

- Component Location



1. Floor console assembly

### Rear Console Cover - Components and Components Location (Article 45002)

- Component Location



1. Rear console cover

### Floor Console Assembly - Repair Procedures (Article 45001)

- Replacement

[M/T]

Put on gloves to prevent hand injuries.

# ⚠ CAUTION

- Put on gloves to prevent hand injuries.

When removing with a flat-tip screwdriver or remover, wrap protective tape around the tools to prevent damage to components. Use a plastic panel removal tool to remove interior trim pieces without marring the surface.

Take care not to bend or scratch the trim and panels.

- When removing with a flat-tip screwdriver or remover, wrap protective tape around the tools to prevent damage to components.

- Use a plastic panel removal tool to remove interior trim pieces without marring the surface.

- Take care not to bend or scratch the trim and panels.

- Remove the gear knob & boots (A) pull both of it up.



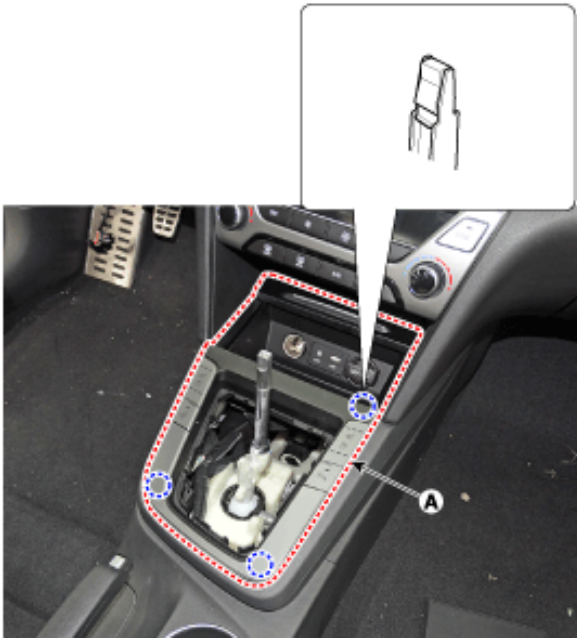
- Remove the rubber mat (A).



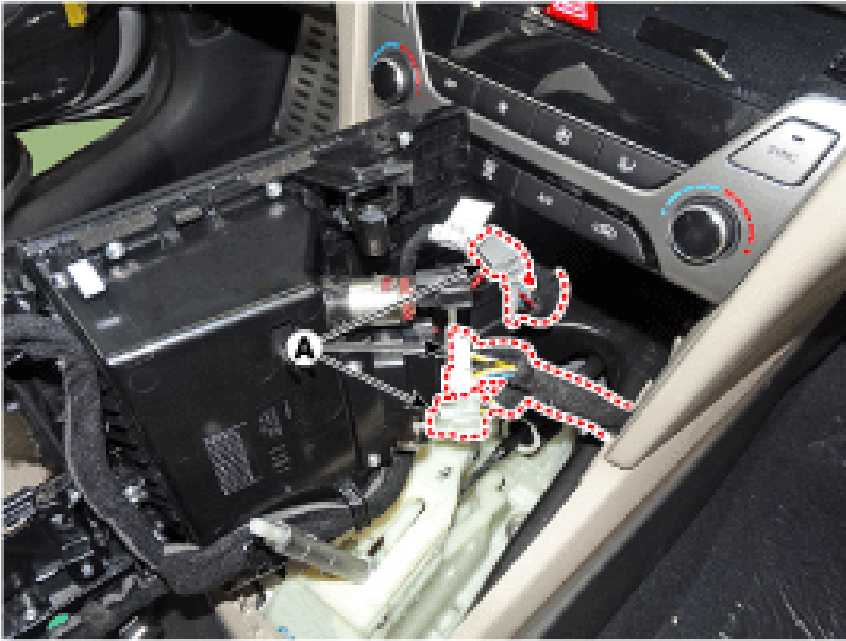
- Using a screwdriver or remover, remove the parking brake cover (A).



- Using a screwdriver or remover, remove the console upper cover (A).



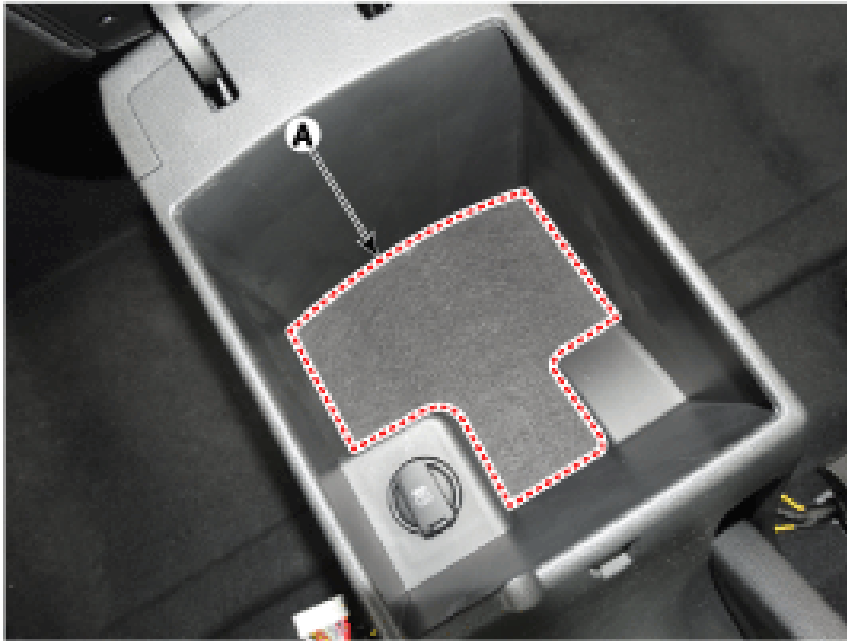
- Disconnect the connector (A).



- Using a screwdriver or remover, remove the console garnish (A).



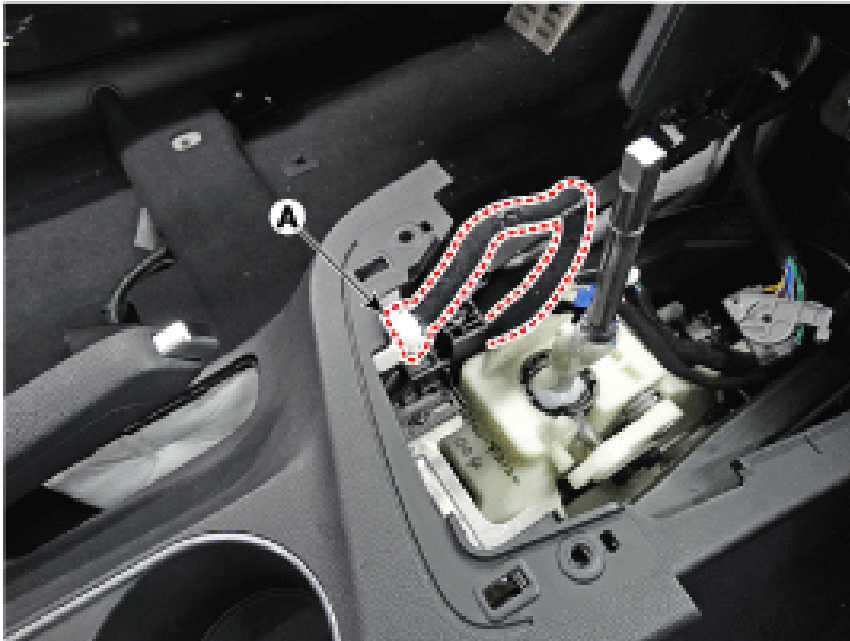
- Remove the storage box pad (A).



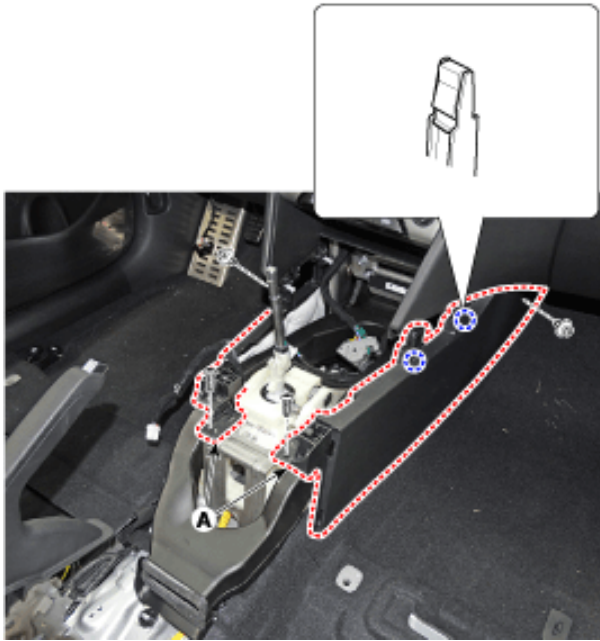
- After loosening the mounting screws and bolts, remove the console rear complete assembly (A).



- Disconnect the sigajcak connectors (A).

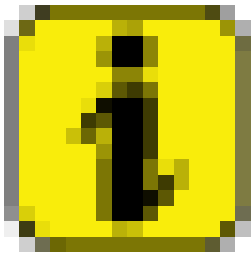


- Loosen the mounting screws and remove the console front complete assembly (A).



- To install, reverse the removal procedure. Make sure the connector is connected properly. Replace any damaged clips (or pin-type retainers).

Make sure the connector is connected properly. Replace any damaged clips (or pin-type retainers).



# Information

- Make sure the connector is connected properly.
- Replace any damaged clips (or pin-type retainers).

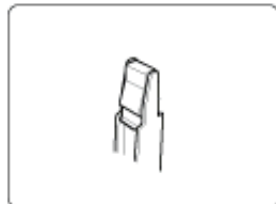
[A/T]

# NOTICE

- To remove the gear knob & gear boots (A) pull both of it up.



- Using a screwdriver or remover, remove the floor console upper cover (A).



- Disconnect the connectors (A) from the floor console upper cover.
- After loosening the mounting screws and bolts, remove the floor console assembly (A).

### **Rear Console Cover - Repair Procedures (Article 45003)**

- Replacement

Put on gloves to prevent hand injuries.



- Put on gloves to prevent hand injuries.

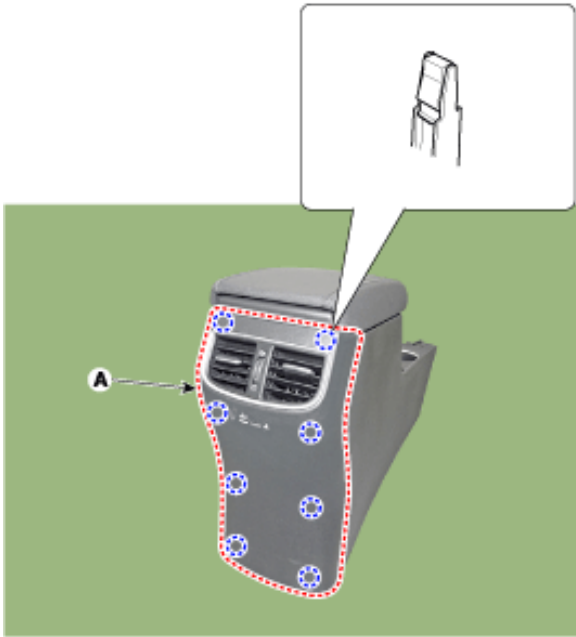
When removing with a flat-tip screwdriver or remover, wrap protective tape around the tools to prevent damage to components. Use a plastic panel removal tool to remove interior trim pieces without marring the surface. Take care not to bend or scratch the trim and panels.

# NOTICE

- When removing with a flat-tip screwdriver or remover, wrap protective tape around the tools to prevent damage to components.
- Use a plastic panel removal tool to remove interior trim pieces without marring the surface.
- Take care not to bend or scratch the trim and panels.
- Remove the floor console assembly. (Refer to Floor Console - "Floor Console Assembly")
- Loosen the rear console mounting screws.

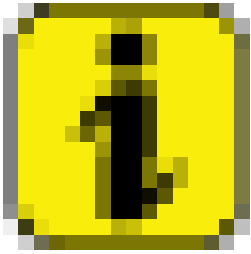


- Using a screwdriver or remover, remove the rear console cover (A).



- To install, reverse the removal procedure. Make sure the connector is connected properly. Replace any damaged clips (or pin-type retainers).

Make sure the connector is connected properly. Replace any damaged clips (or pin-type retainers).



# Information

- Make sure the connector is connected properly.
- Replace any damaged clips (or pin-type retainers).