

Component Procedures: Keyless Entry Module

Table of Contents

1. Parts and Labor (itype_189)
2. Smart Key Unit - Schematic Diagrams (Article 44787)
3. Smart Key Unit - Components and Components Location (Article 44781)
4. Smart Key Unit - Repair Procedures (Article 44790)

Component Procedures: Keyless Entry Module

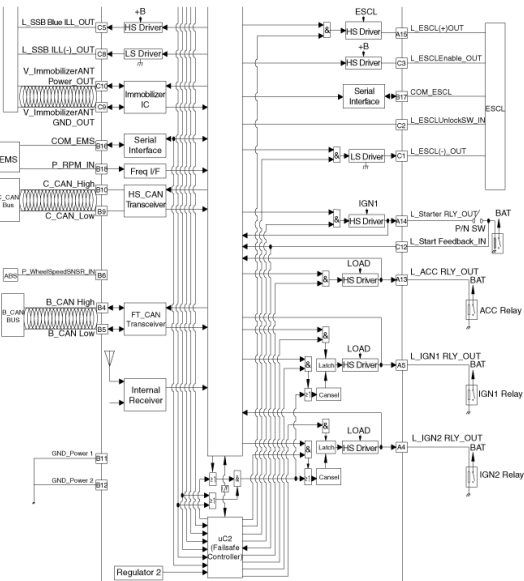
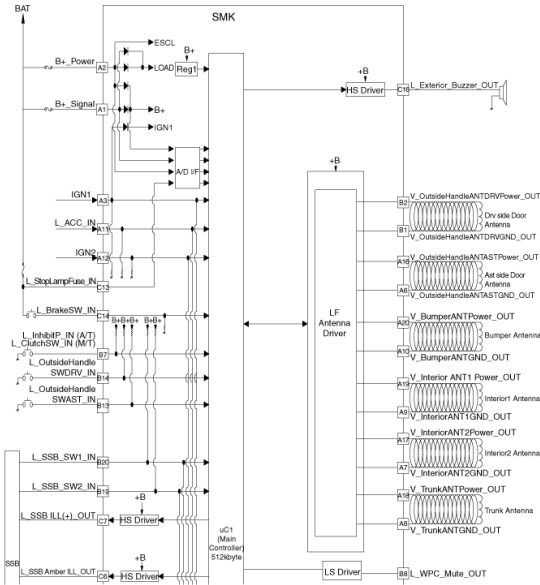
Parts and Labor (itype_189)

Parts

Qualifier	Part #	Name	Price	Note
Keyless Entry Components > C?	95480F2070	Smart Key Module	483.29	

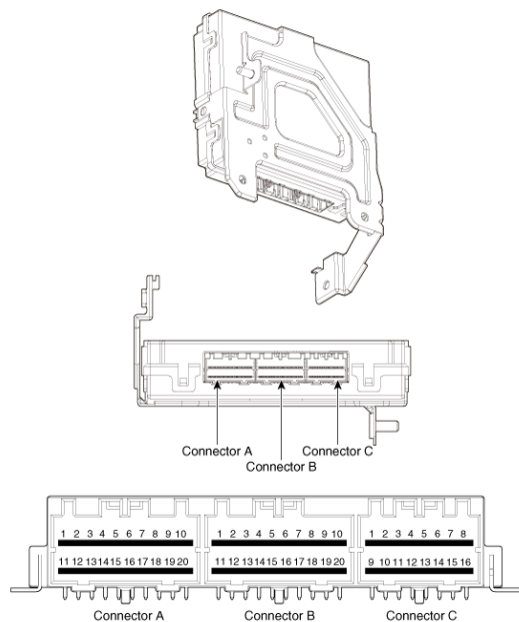
Smart Key Unit - Schematic Diagrams (Article 44787)

- Circuit Diagram



Smart Key Unit - Components and Components Location (Article 44781)

- Components (1)

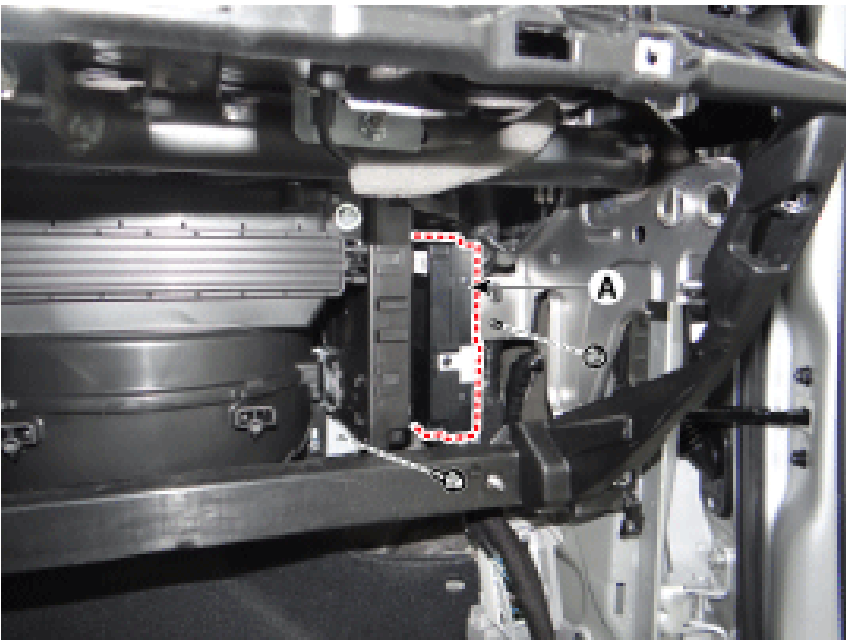
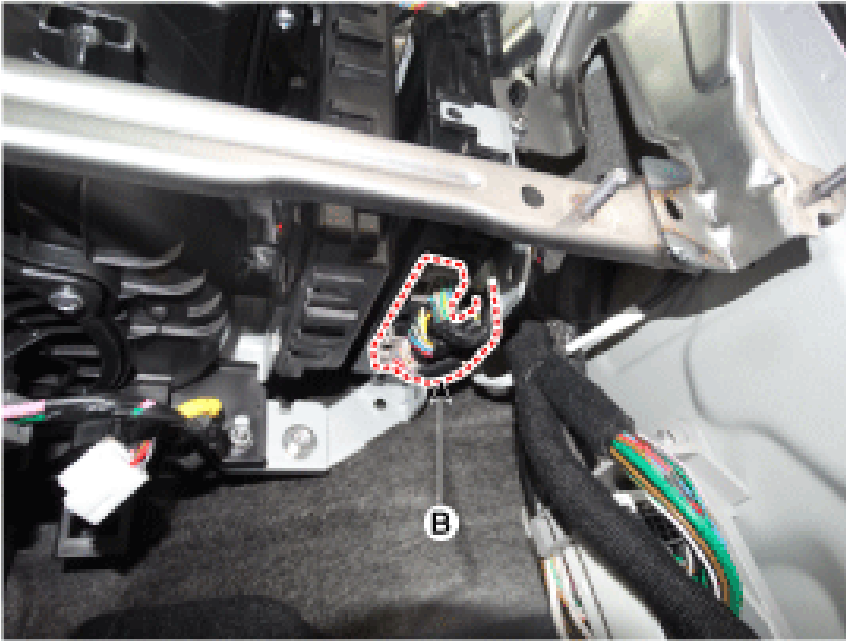


No Connector A Connector B Connector C

- 1 BAT (+)_Signal Driver's door antenna _GND -
- 2 BAT (+)_Power Driver's door antenna_Power -
- 3 IGN 1 - -
- 4 IGN 2_ Relay output B-CAN (High) -
- 5 IGN 1_Relay output B-CAN (Low) SSB LED (Blue)
- 6 Assist door antenna_GND Wheel speed sensor SSB LED (Amber)
- 7 Interior antenna 2_GND AT : 'P' signal input MT : Clutch switch signal input SSB Illumination (+)
- 8 Trunk antenna_GND WPC Mute SSB Illumination (-)
- 9 Interior antenna 1_GND C-CAN (Low) Immobilizer antenna_GND
- 10 Bumper antenna_GND C-CAN (High) Immobilizer antenna_Power
- 11 ACC GND 1 -
- 12 IGN2 GND 2 Start signal feedback
- 13 ACC_Relay output Assist door switch_signal Stop lamp fuse
- 14 Starter_Relay output Driver's door switch_signal Brake switch
- 15 - - -
- 16 Assist door antenna_Power EMS CAN Exterior buzzer
- 17 Interior antenna 2_Power -
- 18 Trunk antenna_Power RPM_Input
- 19 Interior antenna 1_Power SSB switch2
- 20 Bumper antenna_Power SSB switch1

Smart Key Unit - Repair Procedures (Article 44790)

- Removal
- Smart Key Unit
- Disconnect the negative (-) battery terminal.
- Remove the glove box . (Refer to Body - "Glove Box Upper Cover Assembly")
- Remove the smart key unit (A) after disconnecting the connectors (B) and loosening the bolt and nut.

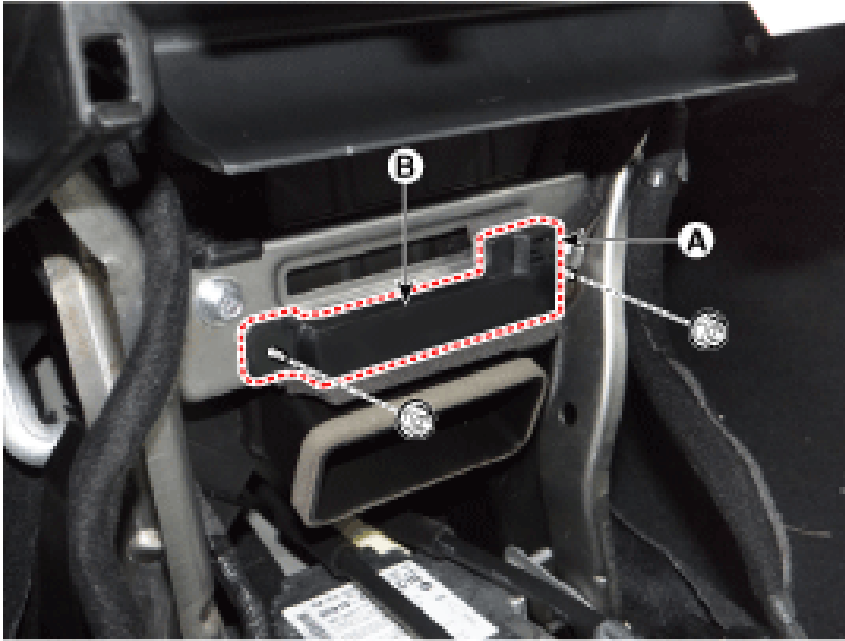


Interior 1 Antenna

Take care not to scratch the crash pad and related parts.

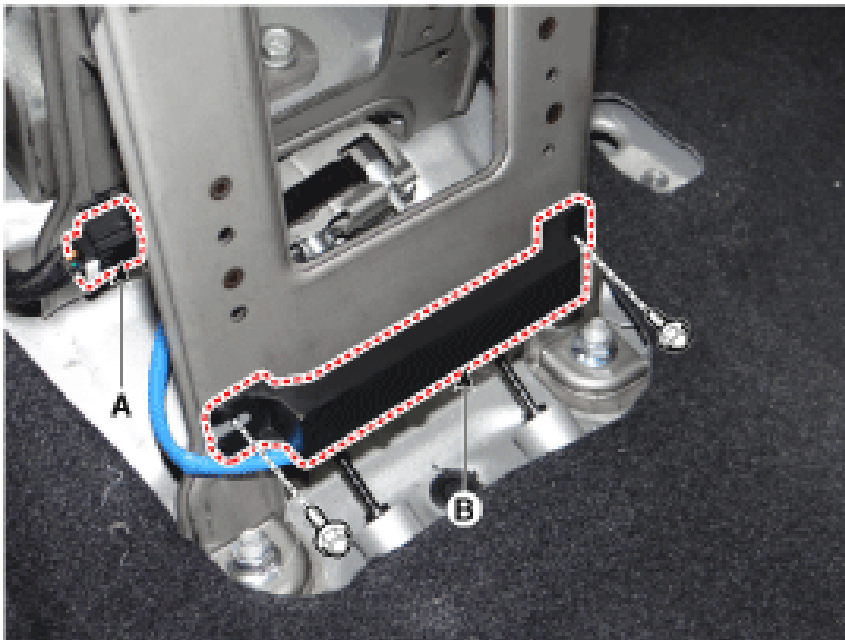
NOTICE

- Take care not to scratch the crash pad and related parts.
- Remove the console upper cover. (Refer to Body - "Floor Console Assembly")
- Remove the interior 1 antenna (B) after loosening the mounting nuts and disconnect the connector (A).



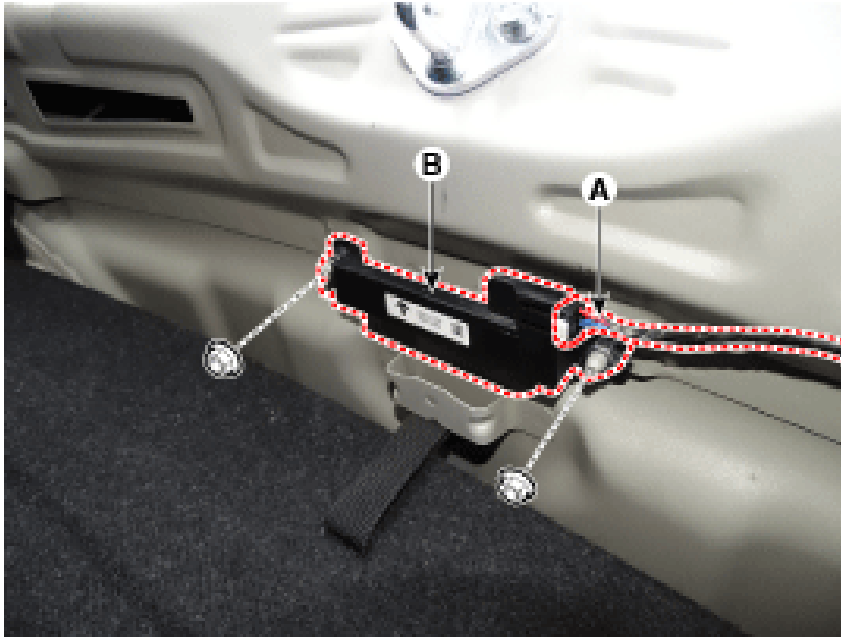
Interior 2 Antenna

- Remove the console upper cover (Refer to Body - "Floor Console Assembly")
- Remove the interior 2 antenna (B) after loosening the mounting nuts (2EA) and disconnecting the connector (A).



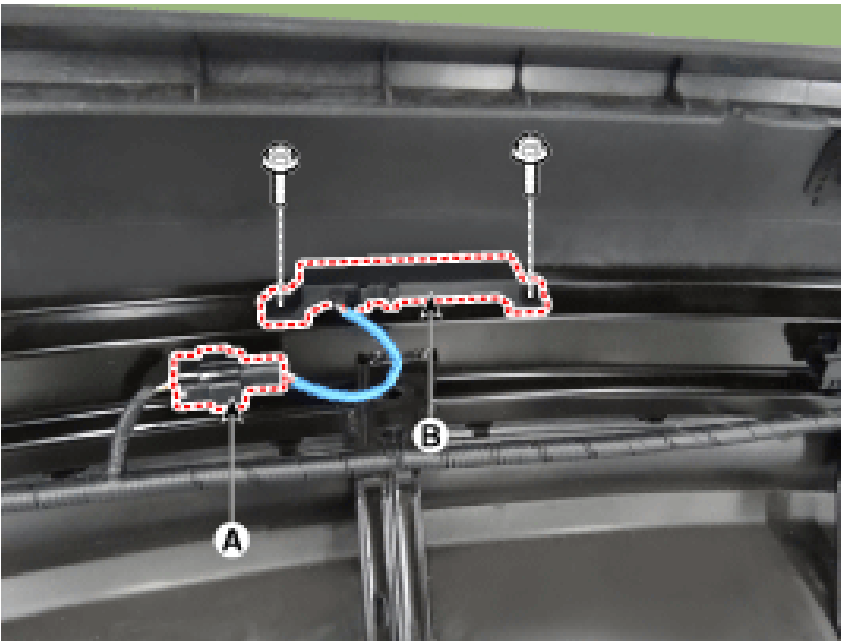
Trunk Antenna

- Disconnect the negative (-) battery terminal
- Remove the rear transverse trim.
- Remove the trunk antenna (B) after disconnect the connector (A) and loosening the mounting nuts.



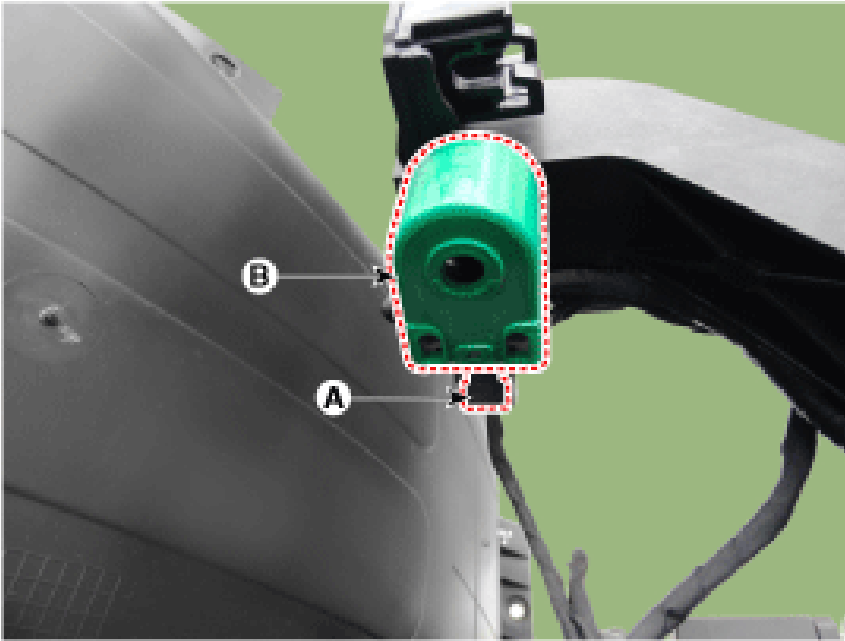
Rear Bumper Antenna

- Remove the rear bumper cover. (Refer to Body - "Rear Bumper Cover")
- Remove the rear bumper antenna (B) after disconnect the connector (A) and loosening the mounting nuts.



Buzzer

- Remove the front left wheel guide. (Refer to Body - "Front Wheel Guard")
- Remove the buzzer (B) after disconnect the connector (A)



Door Outside Handle

- Remove the front outside door handle. (Refer to Body - "Front Door Outside Handle")



- Inspection

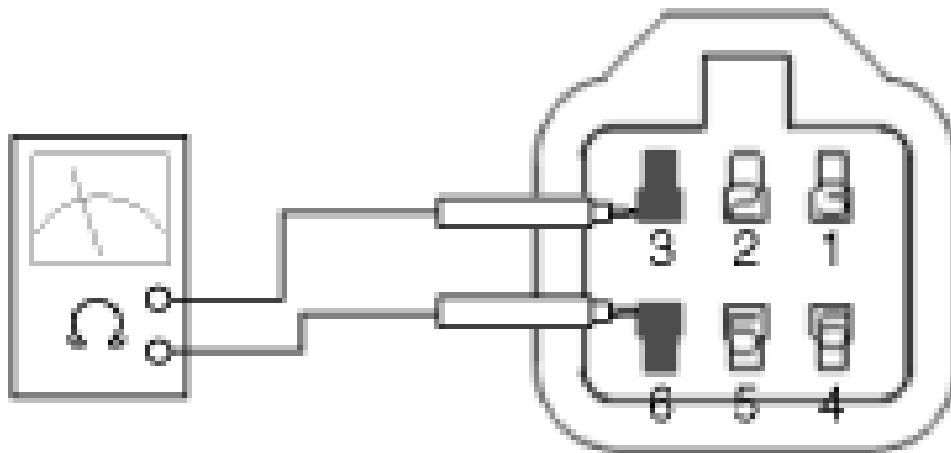
Smart Key Switch

Antenna

- Disconnect the front door outside handle connector (A).

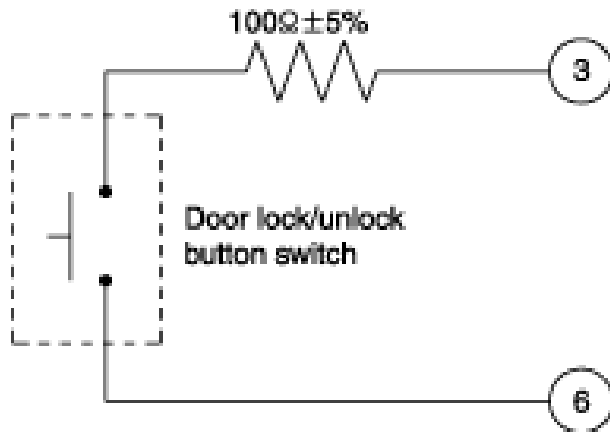


- Check for continuity between terminals No 3 and No 6. No Description 1 Door antenna (+) 2 Pocket lamp LED (+) 3 Door lock/unlock button switch 4 Door antenna (-) 5 Pocket lamp LED (-) 6 Door lock/unlock button switch ground



No Description

- 1 Door antenna (+)
- 2 Pocket lamp LED (+)
- 3 Door lock/unlock button switch
- 4 Door antenna (-)
- 5 Pocket lamp LED (-)
- 6 Door lock/unlock button switch ground



- Installation
- Install the smart key unit.
- Install the smart key unit mounting bolts and connect the connector.
- Install the glove box.
- Install the negative (-) battery terminal and check the smart key system.
- Install the interior 1 antenna.
- Install the crash pad center panel.
- Install the interior 2 antenna.
- Install the console rear complete assembly.
- Trunk mounted antenna.
- Install the rear transverse trim.
- Install the rear bumper antenna.
- Install the rear bumper cover.
- Install the negative (-) battery terminal and check the smart key system
- Install the outside handle.
- Install the front outside door handle.